

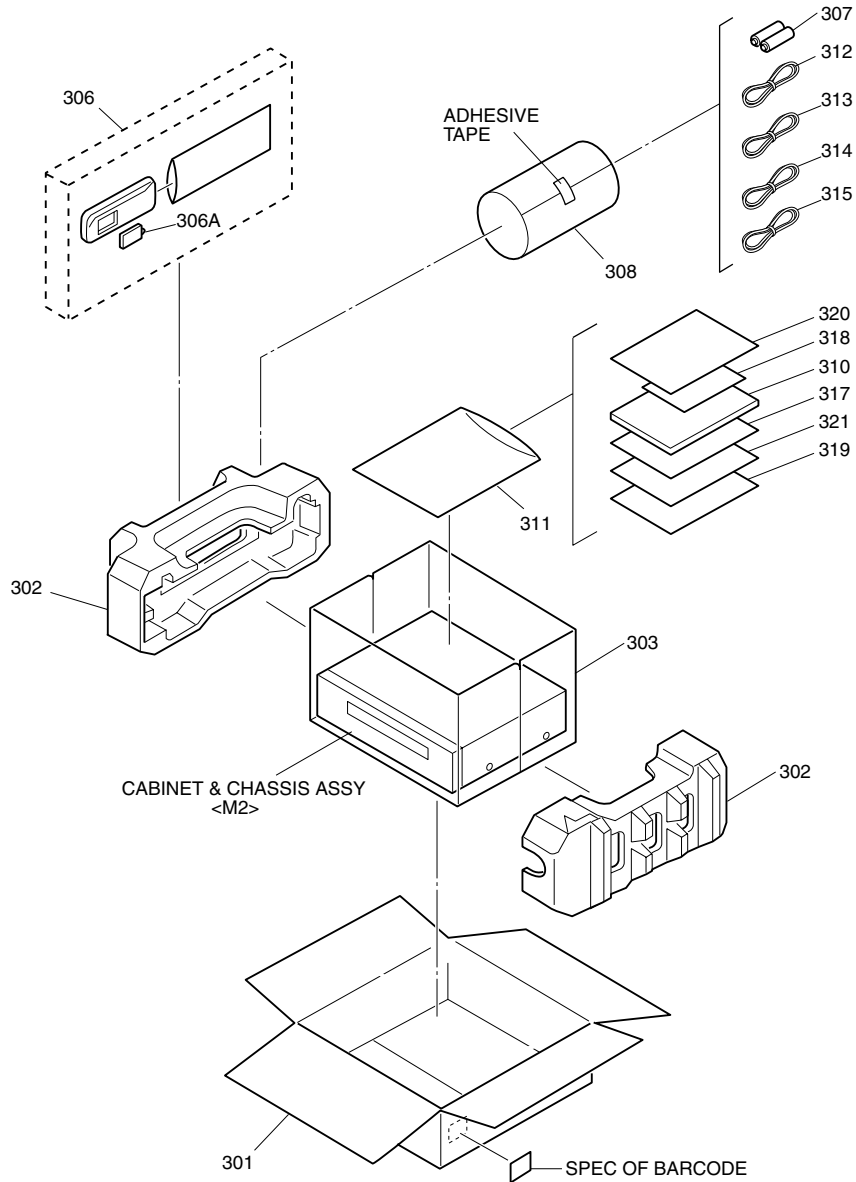
SECTION 5 PARTS LIST

SAFETY PRECAUTION

Parts identified by the \triangle symbol are critical for safety. Replace only with specified part numbers.

5.1 PACKING AND ACCESSORY ASSEMBLY <M1>

The instruction manual to be provided with this product will differ according to the destination.



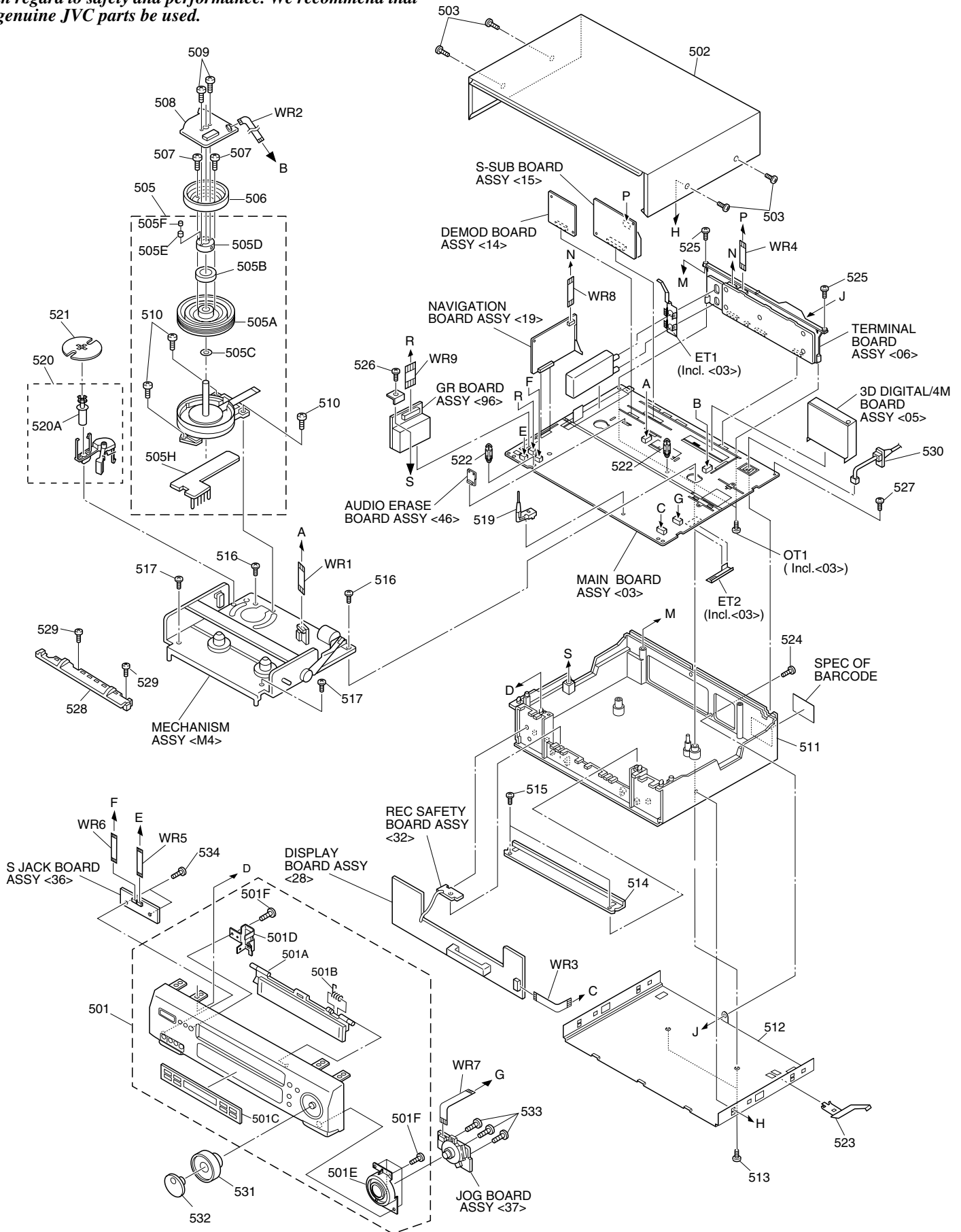
# \triangle REF No.	PART No.	PART NAME, DESCRIPTION	# \triangle REF No.	PART No.	PART NAME, DESCRIPTION

PACKING AND ACCESSORY ASSEMBLY <M1>					
301	LP30596-009B	PACKING CASE	\triangle	LPT0350-003A	INST.BOOK(FR)
302	LP30605-002C	CUSHION ASSY	311	QPC02503530P	POLY BAG
303	PQM30021-95	POLY BAG	312	PEAC0294-04	RF CABLE
306	LP20465-007A	REMOTE CONTROLLER	313	QAM0174-001	A/V CABLE
306A	LP40254-003B	COVER(BATTERY)	314	QAL0095-004	LED CABLE ASSY(Contoller)
307	-	BATTERY,X2(“AA” TYPE)	315	QAM0246-002	S CABLE
308	QPC02202230P	POLY BAG	317	LPT0350-002A	Q.S.SHEET
\triangle 310	LPT0350-001A	INST.BOOK(EN)	318	LP40437-001A	LABEL(S VHS ET)
			319	BT-20071B	SER.NET CARD
			320	BT-51020-2	REGIST.CARD
			321	PU36560	CONNECTION SHEET

5.2 CABINET AND CHASSIS ASSEMBLY <M2>

BEWARE OF BOGUS PARTS

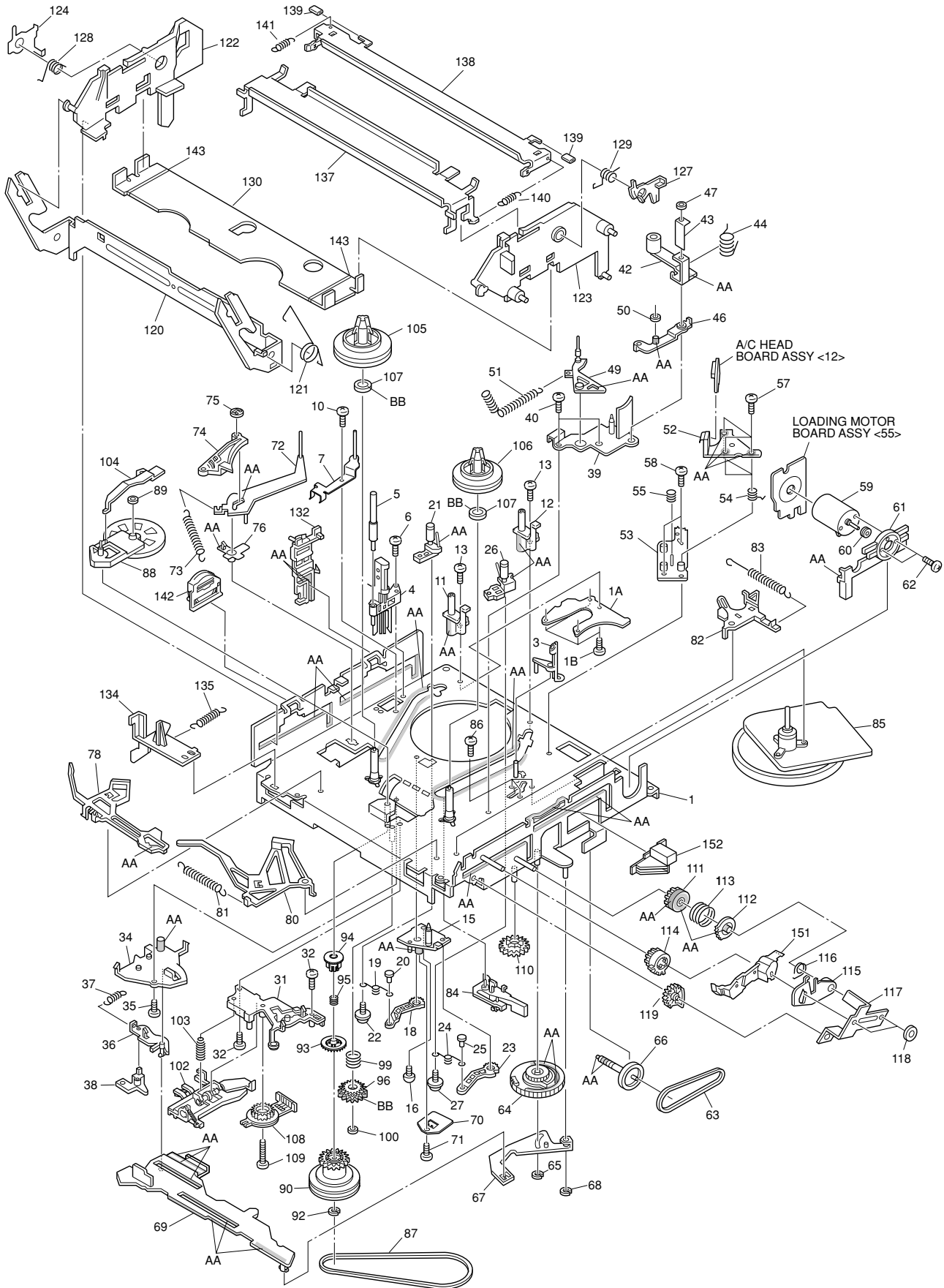
Parts that do not meet specifications may cause trouble in regard to safety and performance. We recommend that genuine JVC parts be used.



#	△ REF No.	PART No.	PART NAME, DESCRIPTION	#	△ REF No.	PART No.	PART NAME, DESCRIPTION

CABINET AND CHASSIS ASSEMBLY <M2>							
△	501	LP10088-017B	FRONT PANEL ASSY				
	501A	LP20716-006A	CASSETTE DOOR				
	501B	PQ46448	TORSION SPRING				
	501C	LP20250-007A	DISPLAY WINDOW				
	501D	LP40159-001B	BRACKET(DAMPER)				
	501E	LP20613-004A	ORNAMENT				
	501F	SDSF2608Z	SCREW,X5				
△	502	PQ11922-36-7	TOP COVER				
	503	QYTDSF3010R	SCREW,X4 TOP COVER(SIDE)				
	505	LP20319-019A	DRUM SUB ASSY				
	505A	LP20030-019A	UPPER DRUM ASSY				
	505B	PDM4439	CAP				
	505C	PDM4444-19-2	WASHER				
	505D	LP40572-001A	COLLAR ASSY				
	505E	LP40323-001A	CONTACT				
	505F	LP30004-014A	COMPRESSION SPRING				
	505H	LPA20002-01C	SENSOR BOARD ASSY				
	506	PDZ0179-2-4	ROTOR ASSY				
	507	QYSPSP3006Z	SCREW,X2				
△	508	QAR0119-001	STATOR ASSY				
	509	QYSPSPH2606Z	SCREW,X2				
	510	QYTDST2610Z	SCREW,X3 DRUM				
△	511	LP10140-005F	BOTTOM CHASSIS				
△	512	PQ11921-1-4	BOTTOM COVER				
	513	QYTDSF3010Z	SCREW,X2				
	514	LP30312-001B	BRACKET(CHASSIS)				
	515	QYTDSF3010Z	SCREW,X2				
	516	QYTDSF4012Z	SCREW,X2 MECHA				
	517	QYTDSF3010Z	SCREW,X2 MECHA				
	519	LP40407-001A	KNOB ASSY				
	520	LP40370-001E	ROLLER ARM ASSY				
	520A	PDM4311A-1	ROLLER ASSY				
	521	PQ44230	INERTIA PLATE				
	522	LP40226-001A	PC SUPPORT,X2				
	523	LP40659-001A	EARTH PLATE(2)				
	524	QYTDSF3010M	SCREW,TERMINAL				
	525	QYTPSFG3010Z	SCREW,X2 TERMINAL				
	526	QYTPSFG3010Z	SCREW,GR				
	527	QYTDSF3010Z	SCREW,MAIN				
	528	LP30247-001B	FRONT BRACKET				
	529	QYTDST2606Z	SCREW,X2				
△	530	QMPD190-170-K	POWER CORD				
	531	LP30695-001A	KNOB(SHUTTLE)				
	532	LP30694-001A	KNOB(JOG)				
	533	QYTDSF2608Z	SCREW,X3 JOG				
	534	QYTDSF2608Z	SCREW,X2 S JACK				
	WR1	QUQ112-0720CG	FFC WIRE,A/C HEAD CN2001				
	WR2	QUQ212-0518CG	FFC WIRE,DRUM CN3001				
	WR3	QUQ112-1414CG	FFC WIRE,DISPLAY CN3011				
	WR4	QUQ112-1407CG	FFC WIRE,S SUB CN911				
	WR5	QUQ212-0516CG	FFC WIRE,JACK CN902				
	WR6	QUQ212-0416CG	FFC WIRE,S(FSA)CN901				
	WR7	QUQ112-0616CG	FFC WIRE,JOG(FSA)CN3012				
	WR8	QUQ112-0826CG	FFC WIRE,NAVIGATION CN912				
	WR9	QUQ112-1113CG	FFC WIRE,GR CN1901				

5.3 MECHANISM ASSEMBLY <M4>



Classification	Part No.	Symbol in drawing
Grease	KYODO-SH-P	AA
Oil	COSMO-HV56	BB

NOTE:The section marked in **AA** and **BB** indicate lubrication and greasing areas.

#	△	REF No.	PART No.	PART NAME, DESCRIPTION	#	△	REF No.	PART No.	PART NAME, DESCRIPTION

MECHANISM ASSEMBLY <M4>									
1			LP20884-002D	MAIN DECK ASSY	72			LP40108-002A	TENSION ARM ASSY
1A			LP40275-002B	PLATE(SUPPLY)	73			LP30003-010A	TENSION SPRING
1B			QYTDST2606Z	SCREW,X4	74			LP40109-003D	TENSION BRAKE ASSY
3			LP30492-002B	GIDE POOL GUARD	75			PQ46302-1-3	ADJUST PIN
4			NAH0001-001	FULL ERASE HEAD	76			LP30232-002A	TENSION ARM BEARING
5			LP40098-001B	GUIDE POLE(SUPPLY)	78			LP40532-009A	MAIN BRAKE ASSY (SUPPLY)
6			QYTDST2608Z	SCREW	80			LP40111-012B	MAIN BRAKE AY (TAKE UP)
7			LP40678-001A	TENSION STUD BASE ASSY	81			LP30003-029A	TENSION SPRING
10			QYTDST2606Z	SCREW	82			LP40112-001F	SUB BRAKE ASSY(TAKE UP)
11			LP30409-002C	UV CATCHER 2	83			LP40357-001B	TENSION SPRING
12			LP30409-002C	UV CATCHER 2	84			LP40461-001A	CAPSTAN BRAKE ASSY
13			QYTPST2606Z	SCREW,X2	85			QAR0132-001	CAPSTAN MOTOR
15			LP30223-003C	LOADING ARM GEAR SHAFT	86			QYTDSF2606M	SCREW,X3
16			QYTDST2606Z	SCREW	87			LP30005-008A	BELT,CAPSTAN MOTOR
18			LP30224-001A	LOADING ARM GEAR(SUPPLY)	88			LP40114-011A	IDLER ARM ASSY
19			LP40099-001A	TORSION ARM	89			LP30016-001A	SLIT WASHER
20			LP40100-001A	PIN	90			LP40593-003A	CLUTCH UNIT 3
21			LP40101-007A	POLE BASE ASSY(SUPPLY)	92			PQM30017-47	SLIT WASHER
22			QYSPSTG2606Z	SCREW	93			LP30696-002A	CLUTCH GEAR 4
23			LP40103-002B	LOADING ARM GEAR(TAKE UP)	94			LP30697-002A	COUPLING GEAR
24			LP40099-001A	TORSION ARM	95			LP40554-002A	COMPRESSION SPRING
25			LP40100-001A	PIN	96			LP40442-001A	DIRECT GEAR
26			LP40104-008A	POLE BASE ASSY(TAKE UP)	99			LP40483-002A	COMPRESSION SPRING
27			QYSPSTG2606Z	SCREW	100			LP30016-001A	SLIT WASHER
31			LP20233-004B	ROTARY ENCODER GUIDE	102			LP40484-001H	CHANGE LEVER ASSY
32			QYTPST2606Z	SCREW	103			LP40512-002B	COMPRESSION SPRING
34			LP30226-004C	CONTROL PLATE GUIDE	104			LP30236-002B	IDLER LEVER
35			QYTPST2605Z	SCREW	105			LP40420-001A	REEL DISK ASSY(SUPPLY)
36			LP30249-003B	TAKE UP LEVER	106			LP40421-001A	REEL DISK ASSY(TAKE UP)
37			LP30003-006A	TENSION SPRING	107			LP30017-015A	SPACER,X2
38			LP40119-002A	TAKE UP HEAD	108			QSW0554-003	ROTARY ENCODER
39			LP20234-004B	LID GUIDE	109			QYTPST2620Z	SCREW
40			QYTDST2606Z	SCREW,X2	110			LP30237-002B	CASSETTE GEAR
42			LP40105-001B	PINCH ROLLER ARM ASSY	111			LP30239-002G	LIMIT GEAR(1)
43			LP40478-001A	PINCH ROLLER SHEET2	112			LP30240-002G	LIMIT GEAR(2)
44			LP40148-002A	TORSION SPRING	113			LP40136-001E	TORSION SPRING
46			LP40149-001C	PRESS LEVER ASSY	114			LP30242-002A	RELAY GEAR
47			LP30016-002A	SLIT WASHER	115			LP30339-002E	OPENER GUIDE
49			LP40106-002E	GUIDE ARM ASSY	116			LP40545-001A	TORSION SPRING
50			LP30017-008A	SPACER	117			LP40214-001B	C.H.BRACKET
51			LP40134-001C	TENSION SPRING	118			PQM30017-47	SLIT WASHER,X2
52			QAH0010-004	AC HEAD	119			LP30243-001D	DRIVE GEAR
53			LP30228-001A	HEAD BASE	120			LP20240-001D	DRIVE ARM
54			LP30004-013A	COMPRESSION SPRING,X3	121			LP40137-001A	TORSION SPRING
55			LP40236-001A	COMPRESSION SPRING	122			LP10081-002L	SIDE HOLDER(L)
57			LP40213-002B	SPECIAL SCREW,X3	123			LP10082-002M	SIDE HOLDER(R)
58			QYTDST2608Z	SCREW,X2	124			LP30255-006A	LOCK LEVER(L)
59			QAR0023-001	LOADING MOTOR	127			LP30256-001H	LOCK LEVER(R)
60			PQ43546-1-2	MOTOR PULLEY	128			LP40168-001A	TORSION SPRING(L)
61			LP30230-001B	MOTOR GUIDE	129			LP40218-001B	TORSION SPRING(R)
62			QYTPSP3003Z	SCREW,X2	130			LP30257-001F	CASSETTE HOLDER
63			LP30005-003A	BELT,LOADING MOTOR	132			LP30244-002G	GUIDE RAIL
64			LP20791-002C	CONTROL CAM	134			LP30245-002E	REC SAFETY LEVER
65			PQM30017-24	SLIT WASHER	135			LP30003-004A	TENSION SPRING
66			LP40120-001A	WORM GEAR	137			LP20578-001C	TOP GUIDE
67			LP40107-002A	LINK LEVER ASSY	138			LP30500-001C	HOLD PLATE
68			PQM30017-24	SLIT WASHER	139			LP40450-003A	PAD,X2
69			LP10284-002E	CONTROL PLATE	140			LP30003-025B	TENSION SPRING
70			LP40379-001B	CONTROL BRACKET(1)	141			LP30003-024A	TENSION SPRING
71			QYTDSF2608M	SCREW	142			LP40481-003A	ROLLER CAM ASSY
					143			LP30019-014A	PAD,X2
					151			LP20324-003A	DOOR OPENER
					152			LP30493-001A	START SENSOR CAP

5.4 ELECTRICAL PARTS LIST

#	△ REF No.	PART No.	PART NAME, DESCRIPTION

MAIN BOARD ASSEMBLY <03>			
PW1		LPA10106-51B1	MAIN BOARD ASSY
IC1		JCP8022-NSD	IC
IC2501		LC85405JE	IC
IC3001		HD6432194AA06F	IC(MCU)
IC3002		S-80727AN-DQ-X	IC
		or S-80827ANUP-W	IC
IC3003		AT24C08-10PC	IC
		or BR24C08	IC
		or M24C08-BN6	IC
		or S-24C08ADP	IC
		or 24LC08B/P	IC
IC3004		BA6956AN	IC
IC3501		BA6956AN	IC
IC3601		BU2090FS	IC
IC3651		BU2090FS	IC
IC5101		STR-G6532	IC
IC5301		LA5644	IC
Q5		2SA1576A/QR/-X	TRANSISTOR
		or 2PA1576/R/-X	TRANSISTOR
Q7		2SC4081/QRS/-X	TRANSISTOR
		or 2PC4081/R/-X	TRANSISTOR
Q8		2SC4081/QRS/-X	TRANSISTOR
		or 2PC4081/R/-X	TRANSISTOR
Q9		2SA1576A/QR/-X	TRANSISTOR
		or 2PA1576/R/-X	TRANSISTOR
Q12		2SA1576A/QR/-X	TRANSISTOR
		or 2PA1576/R/-X	TRANSISTOR
Q17		DTC144WU	TRANSISTOR
		or PDTC144WU	TRANSISTOR
		or RN1309	TRANSISTOR
		or UN521E	TRANSISTOR
Q21		2SA1576A/QR/-X	TRANSISTOR
		or 2PA1576/R/-X	TRANSISTOR
Q24		2SA1576A/QR/-X	TRANSISTOR
		or 2PA1576/R/-X	TRANSISTOR
Q38		2SC4081/QRS/-X	TRANSISTOR
		or 2PC4081/R/-X	TRANSISTOR
Q401		2SA1576A/QR/-X	TRANSISTOR
Q402		2SA1576A/QR/-X	TRANSISTOR
Q403		DTC144WU	TRANSISTOR
		or PDTC144WU	TRANSISTOR
		or RN1309	TRANSISTOR
		or UN521E	TRANSISTOR
Q404		DTC144WU	TRANSISTOR
		or PDTC144WU	TRANSISTOR
		or RN1309	TRANSISTOR
		or UN521E	TRANSISTOR
Q405		2SA1576A/QR/-X	TRANSISTOR
Q2001		2SC4081/QRS/-X	TRANSISTOR
		or 2SD1819A/QRS/-X	TRANSISTOR
		or 2PC4081/R/-X	TRANSISTOR
Q2002		2SC4081/QRS/-X	TRANSISTOR
		or 2PC4081/R/-X	TRANSISTOR
		or 2SD1819A/QRS/-X	TRANSISTOR
Q2003		DTA144WU	TRANSISTOR
		or PDTA144WU	TRANSISTOR
		or RN2309	TRANSISTOR

#	△ REF No.	PART No.	PART NAME, DESCRIPTION
		or UN511E	TRANSISTOR
Q2004		DTC144WU	TRANSISTOR
		or PDTC144WU	TRANSISTOR
		or RN1309	TRANSISTOR
		or UN521E	TRANSISTOR
Q2052		2SA1576A/QR/-X	TRANSISTOR
		or 2PA1576/R/-X	TRANSISTOR
		or 2SB1218A/QR/-X	TRANSISTOR
Q2053		DTC144WU	TRANSISTOR
		or PDTC144WU	TRANSISTOR
		or RN1309	TRANSISTOR
		or UN521E	TRANSISTOR
Q2054		2SA1576A/QR/-X	TRANSISTOR
		or 2SB1218A/QR/-X	TRANSISTOR
		or 2PA1576/R/-X	TRANSISTOR
Q2061		2SC4081/QRS/-X	TRANSISTOR
		or 2PC4081/R/-X	TRANSISTOR
		or 2SD1819A/QRS/-X	TRANSISTOR
Q2062		2SA1576A/QR/-X	TRANSISTOR
		or 2SB1218A/QR/-X	TRANSISTOR
		or 2PA1576/R/-X	TRANSISTOR
Q2102		DTC114EU	TRANSISTOR
		or PDTC114EU	TRANSISTOR
		or RN1302	TRANSISTOR
		or UN5211	TRANSISTOR
Q2103		2SC4081/QRS/-X	TRANSISTOR
		or 2PC4081/R/-X	TRANSISTOR
		or 2SD1819A/QRS/-X	TRANSISTOR
Q2104		DTA144WU	TRANSISTOR
		or PDTA144WU	TRANSISTOR
		or RN2309	TRANSISTOR
		or UN511E	TRANSISTOR
Q2105		DTC144WU	TRANSISTOR
		or PDTC144WU	TRANSISTOR
		or RN1309	TRANSISTOR
		or UN521E	TRANSISTOR
Q2108		2SC4081/QRS/-X	TRANSISTOR
		or 2SD1819A/QRS/-X	TRANSISTOR
		or 2PC4081/R/-X	TRANSISTOR
Q2251		DTA144WU	TRANSISTOR
		or PDTA144WU	TRANSISTOR
		or RN2309	TRANSISTOR
		or UN511E	TRANSISTOR
Q2501		2SC4081/QRS/-X	TRANSISTOR
		or 2PC4081/R/-X	TRANSISTOR
		or 2SD1819A/QRS/-X	TRANSISTOR
Q2502		DTC144WU	TRANSISTOR
		or PDTC144WU	TRANSISTOR
		or RN1309	TRANSISTOR
		or UN521E	TRANSISTOR
Q3001		2SD1819A/QRS/-X	TRANSISTOR
		or 2SC4081/QRS/-X	TRANSISTOR
		or 2PC4081/R/-X	TRANSISTOR
Q3002		PTZ-NV16	PHOTO TRANSISTOR
		or PTZ-NV16A	PHOTO TRANSISTOR
Q3003		PTZ-NV16	PHOTO TRANSISTOR
		or PTZ-NV16A	PHOTO TRANSISTOR
Q3004		2SD1819A/QRS/-X	TRANSISTOR
		or 2PC4081/R/-X	TRANSISTOR
		or 2SC4081/QRS/-X	TRANSISTOR
Q3005		2SD1819A/QRS/-X	TRANSISTOR

#	△	REF No.	PART No.	PART NAME, DESCRIPTION	#	△	REF No.	PART No.	PART NAME, DESCRIPTION	
			or 2SC4081/QRS/-X	TRANSISTOR			D5103	AU01Z	FR DIODE	
			or 2PC4081/R/-X	TRANSISTOR				or ERA18-02-T2	FR DIODE	
		Q3009	UN521E	TRANSISTOR				or 1SR153-400-T2	FR DIODE	
			or DTC144WU	TRANSISTOR				or 10ELS2	FR DIODE	
			or PDTC144WU	TRANSISTOR				or PG104RS	FR DIODE	
			or RN1309	TRANSISTOR			D5201	AK04	DIODE	
		Q3501	2SD1819A/QRS/-X	TRANSISTOR				or 1S4	SB DIODE	
			or 2SC4081/QRS/-X	TRANSISTOR				or 11EQS04	SB DIODE	
			or 2PC4081/R/-X	TRANSISTOR			D5202	FML-12S	FR DIODE	
		Q4001	UN5211	TRANSISTOR				or FCF06A20	FR DIODE	
			or RN1302	TRANSISTOR				or ER602FCT	FR DIODE	
			or DTC114EU	TRANSISTOR				or YG901C2	FR DIODE	
			or PDTC114EU	TRANSISTOR				or SF5LC20U	FR DIODE	
		Q4003	UN5211	TRANSISTOR			D5206	FMB-24	BARRIER DIODE	
			or DTC114EU	TRANSISTOR				or FSQ05A04B	SB DIODE	
			or PDTC114EU	TRANSISTOR				or SB640FCT	SB DIODE	
			or RN1302	TRANSISTOR				or SF5SC4	SB DIODE	
		Q5301	2SB1256	TRANSISTOR				or YG801C04	SB DIODE	
		Q5302	DTC114TU	TRANSISTOR			D5209	ERA18-02-T2	FR DIODE	
			or PDTC114TU	TRANSISTOR				or PG104RS	FR DIODE	
			or UN5215	TRANSISTOR				or 1SR153-400-T2	FR DIODE	
			or RN1311	TRANSISTOR				or 10ELS2	FR DIODE	
		Q5320	2SB1256	TRANSISTOR			D5210	AU01Z	FR DIODE	
		Q5321	DTC114TU	TRANSISTOR				or ERA18-02-T2	FR DIODE	
			or PDTC114TU	TRANSISTOR				or PG104RS	FR DIODE	
			or RN1311	TRANSISTOR				or 10ELS2	FR DIODE	
			or UN5215	TRANSISTOR				or 1SR153-400-T2	FR DIODE	
		Q5322	DTA114EU	TRANSISTOR			D5211	AU01Z	FR DIODE	
			or PDTA114EU	TRANSISTOR				or PG104RS	FR DIODE	
			or RN2302	TRANSISTOR				or 1SR153-400-T2	FR DIODE	
			or UN5111	TRANSISTOR				or ERA18-02-T2	FR DIODE	
		Q6501	DTC143TU	TRANSISTOR				or 10ELS2	FR DIODE	
		Q6502	DTC143TU	TRANSISTOR			D5214	ERA18-02-T2	FR DIODE	
		Q6551	2SC1740S/QRS/-T	TRANSISTOR				or PG104RS	FR DIODE	
			or 2SC3199/YG/-T	TRANSISTOR				or 10ELS2	FR DIODE	
		Q7201	2SC1317/RS/-T	TRANSISTOR				or 1SR153-400-T2	FR DIODE	
		D2001	1SS355	DIODE			D5301	MTZJ15A	ZENER DIODE	
		D2121	MTZJ8.2C	ZENER DIODE				or RD15ES/B1/-T2	ZENER DIODE	
		D2201	11ES2	DIODE			D5302	MTZJ6.8A	ZENER DIODE	
			or 1A3G	DIODE				or RD6.8ES/B1/-T2	ZENER DIODE	
		D2501	1SS133	DIODE			D5303	MTZJ27C	ZENER DIODE	
		D3001	LNB2301L01VI	LE DIODE				or RD27ES/B3/-T2	ZENER DIODE	
		D3002	1SS133	DIODE			D5304	1SS133	DIODE	
		D3003	RD39ES/B3/-T2	ZENER DIODE				or 1SS270A	DIODE	
			or MTZJ39C	ZENER DIODE			D5305	11ES2	DIODE	
		D3004	11E2-T5	DIODE				or 1A3G	DIODE	
		D3005	11E2-T5	DIODE				or ERA15-02-T2	DIODE	
		D3007	1SS355	DIODE			D5314	11ES2	DIODE	
		D4001	1SS355	DIODE				or 1A3G	DIODE	
		D4002	1SS355	DIODE				or ERA15-02-T2	DIODE	
		D5001	S1WB/A/60-4102	BRIDGE DIODE			D5315	11ES2	DIODE	
			or S1WB/A/60-X	BRIDGE DIODE				or 1A3G	DIODE	
			or S1WB(A)60F4072X	BRIDGE DIODE				or ERA15-02-T2	DIODE	
		D5101	AU01	FR DIODE			D6002	HZ30-2L-T2	ZENER DIODE	
			or ERA18-04-T2	FR DIODE				or HZ30-2LTD	Z DIODE (M)	
			or 10ELS4	FR DIODE			D6551	MTZJ10B	ZENER DIODE	
			or 1SR153-400-T2	FR DIODE			R1	NRVA02D-622X	CMF RESISTOR	6.2kΩ, 1/10W
		D5102	AU01	FR DIODE			R2	NRVA02D-152X	CMF RESISTOR	1.5kΩ, 1/10W
			or ERA18-04-T2	FR DIODE			R3	NRSA02J-182X	MG RESISTOR	1.8kΩ, 1/10W
			or 1SR153-400-T2	FR DIODE			R5	NRSA02J-0R0X	MG RESISTOR	0Ω, 1/10W
			or 10ELS4	FR DIODE			R6	NRSA02J-103X	MG RESISTOR	10kΩ, 1/10W

#	△ REF No.	PART No.	PART NAME, DESCRIPTION	#	△ REF No.	PART No.	PART NAME, DESCRIPTION
R7		NRSA02J-102X	MG RESISTOR 1kΩ,1/10W	R2059		NRSA02J-473X	MG RESISTOR 47kΩ,1/10W
R8		NRSA02J-0R0X	MG RESISTOR 0Ω,1/10W	R2060		NRSA02J-183X	MG RESISTOR 18kΩ,1/10W
R9		NRSA02J-0R0X	MG RESISTOR 0Ω,1/10W	R2061		NRSA02J-273X	MG RESISTOR 27kΩ,1/10W
R23		NRSA02J-102X	MG RESISTOR 1kΩ,1/10W	R2062		NRSA02J-3R3X	MG RESISTOR 3.3Ω,1/10W
R25		NRSA02J-103X	MG RESISTOR 10kΩ,1/10W	R2063		NRSA02J-151X	MG RESISTOR 150Ω,1/10W
R26		NRSA02J-822X	MG RESISTOR 8.2kΩ,1/10W	R2064		NRSA02J-473X	MG RESISTOR 47kΩ,1/10W
R27		NRSA02J-102X	MG RESISTOR 1kΩ,1/10W	R2065		NRSA02J-183X	MG RESISTOR 18kΩ,1/10W
R28		NRSA02J-102X	MG RESISTOR 1kΩ,1/10W	R2102		NRSA02J-471X	MG RESISTOR 470Ω,1/10W
R29		NRSA02J-222X	MG RESISTOR 2.2kΩ,1/10W	R2103		NRSA02J-472X	MG RESISTOR 4.7kΩ,1/10W
R30		NRSA02J-0R0X	MG RESISTOR 0Ω,1/10W	R2104		NRSA02J-472X	MG RESISTOR 4.7kΩ,1/10W
R31		NRSA02J-122X	MG RESISTOR 1.2kΩ,1/10W	R2105		NRSA02J-562X	MG RESISTOR 5.6kΩ,1/10W
R32		NRSA02J-102X	MG RESISTOR 1kΩ,1/10W	R2106		NRSA02J-681X	MG RESISTOR 680Ω,1/10W
R34		NRSA02J-223X	MG RESISTOR 22kΩ,1/10W	R2107		NRSA02J-102X	MG RESISTOR 1kΩ,1/10W
R36		NRSA02J-182X	MG RESISTOR 1.8kΩ,1/10W	R2109		NRSA02J-103X	MG RESISTOR 10kΩ,1/10W
R39		NRSA02J-0R0X	MG RESISTOR 0Ω,1/10W	R2111		NRSA02J-222X	MG RESISTOR 2.2kΩ,1/10W
R42		NRSA02J-681X	MG RESISTOR 680Ω,1/10W	R2121		QRE141J-151Y	RESISTOR 150Ω,1/4W
R44		NRSA02J-473X	MG RESISTOR 47kΩ,1/10W	R2202		NRSA02J-222X	MG RESISTOR 2.2kΩ,1/10W
R45		NRSA02J-153X	MG RESISTOR 15kΩ,1/10W	R2203		NRSA02J-222X	MG RESISTOR 2.2kΩ,1/10W
R46		NRSA02J-331X	MG RESISTOR 330Ω,1/10W	R2204		NRSA02J-102X	MG RESISTOR 1kΩ,1/10W
R48		NRSA02J-102X	MG RESISTOR 1kΩ,1/10W	R2205		NRSA02J-102X	MG RESISTOR 1kΩ,1/10W
R51		NRSA02J-222X	MG RESISTOR 2.2kΩ,1/10W	R2206		QRE141J-101Y	RESISTOR 100Ω,1/4W
R68		NRSA02J-222X	MG RESISTOR 2.2kΩ,1/10W	R2210		NRSA02J-0R0X	MG RESISTOR 0Ω,1/10W
R70		NRSA02J-0R0X	MG RESISTOR 0Ω,1/10W	R2211		NRSA02J-0R0X	MG RESISTOR 0Ω,1/10W
R77		NRSA02J-223X	MG RESISTOR 22kΩ,1/10W	R2213		QRE141J-393Y	RESISTOR 39kΩ,1/4W
R88		NRSA02J-272X	MG RESISTOR 2.7kΩ,1/10W	R2215		NRSA02J-153X	MG RESISTOR 15kΩ,1/10W
R90		NRSA02J-471X	MG RESISTOR 470Ω,1/10W	R2217		NRSA02J-103X	MG RESISTOR 10kΩ,1/10W
R92		NRSA02J-152X	MG RESISTOR 1.5kΩ,1/10W	R2218		NRSA02J-393X	MG RESISTOR 39kΩ,1/10W
R93		NRSA02J-102X	MG RESISTOR 1kΩ,1/10W	R2219		QRE141J-393Y	RESISTOR 39kΩ,1/4W
R94		NRSA02J-0R0X	MG RESISTOR 0Ω,1/10W	R2220		QRE141J-393Y	RESISTOR 39kΩ,1/4W
R104		NRSA02J-682X	MG RESISTOR 6.8kΩ,1/10W	R2223		NRSA02J-123X	MG RESISTOR 12kΩ,1/10W
R113		NRSA02J-101X	MG RESISTOR 100Ω,1/10W	R2224		NRSA02J-123X	MG RESISTOR 12kΩ,1/10W
R114		NRSA02J-0R0X	MG RESISTOR 0Ω,1/10W	R2225		NRSA02J-153X	MG RESISTOR 15kΩ,1/10W
R401		NRSA02J-221X	MG RESISTOR 220Ω,1/10W	R2228		NRSA02J-0R0X	MG RESISTOR 0Ω,1/10W
R402		NRSA02J-102X	MG RESISTOR 1kΩ,1/10W	R2251		NRSA02J-102X	MG RESISTOR 1kΩ,1/10W
R403		NRSA02J-681X	MG RESISTOR 680Ω,1/10W	R2501		NRSA02J-0R0X	MG RESISTOR 0Ω,1/10W
R404		NRSA02J-473X	MG RESISTOR 47kΩ,1/10W	R2502		NRSA02J-472X	MG RESISTOR 4.7kΩ,1/10W
R405		NRSA02J-683X	MG RESISTOR 68kΩ,1/10W	R2503		NRSA02J-563X	MG RESISTOR 56kΩ,1/10W
R407		NRSA02J-472X	MG RESISTOR 4.7kΩ,1/10W	R2504		NRSA02J-472X	MG RESISTOR 4.7kΩ,1/10W
R408		NRSA02J-473X	MG RESISTOR 47kΩ,1/10W	R2505		NRSA02J-105X	MG RESISTOR 1MΩ,1/10W
R409		NRSA02J-103X	MG RESISTOR 10kΩ,1/10W	R2506		NRSA02J-473X	MG RESISTOR 47kΩ,1/10W
R2001		NRSA02J-101X	MG RESISTOR 100Ω,1/10W	R2507		NRSA02J-102X	MG RESISTOR 1kΩ,1/10W
R2003		QRE141J-101Y	RESISTOR 100Ω,1/4W	R2508		NRSA02J-333X	MG RESISTOR 33kΩ,1/10W
R2005		QRE141J-103Y	RESISTOR 10kΩ,1/4W	R2509		NRSA02J-103X	MG RESISTOR 10kΩ,1/10W
R2006		QRE141J-393Y	RESISTOR 39kΩ,1/4W	R2510		NRSA02J-104X	MG RESISTOR 100kΩ,1/10W
R2007		NRSA02J-393X	MG RESISTOR 39kΩ,1/10W	R2511		NRSA02J-154X	MG RESISTOR 150kΩ,1/10W
R2009		NRSA02J-123X	MG RESISTOR 12kΩ,1/10W	R2512		NRSA02J-102X	MG RESISTOR 1kΩ,1/10W
R2010		NRSA02J-123X	MG RESISTOR 12kΩ,1/10W	R2513		NRSA02J-102X	MG RESISTOR 1kΩ,1/10W
R2011		NRSA02J-103X	MG RESISTOR 10kΩ,1/10W	R2514		NRSA02J-562X	MG RESISTOR 5.6kΩ,1/10W
R2012		NRSA02J-153X	MG RESISTOR 15kΩ,1/10W	R2519		NRSA02J-102X	MG RESISTOR 1kΩ,1/10W
R2013		NRSA02J-682X	MG RESISTOR 6.8kΩ,1/10W	R2520		NRSA02J-101X	MG RESISTOR 100Ω,1/10W
R2014		NRSA02J-224X	MG RESISTOR 220kΩ,1/10W	R2522		NRSA02J-682X	MG RESISTOR 6.8kΩ,1/10W
R2015		NRSA02J-271X	MG RESISTOR 270Ω,1/10W	R3011		QRE141J-0R0Y	RESISTOR 0Ω,1/4W
R2016		NRSA02J-473X	MG RESISTOR 47kΩ,1/10W	R3012		NRSA02J-0R0X	MG RESISTOR 0Ω,1/10W
R2017		NRSA02J-183X	MG RESISTOR 18kΩ,1/10W	R3013		NRSA02J-0R0X	MG RESISTOR 0Ω,1/10W
R2018		NRSA02J-472X	MG RESISTOR 4.7kΩ,1/10W	R3016		QRE141J-0R0Y	RESISTOR 0Ω,1/4W
R2019		NRSA02J-472X	MG RESISTOR 4.7kΩ,1/10W	R3017		QRE141J-0R0Y	RESISTOR 0Ω,1/4W
R2020		NRSA02J-102X	MG RESISTOR 1kΩ,1/10W	R3018		QRE141J-682Y	RESISTOR 6.8kΩ,1/4W
R2053		NRSA02J-472X	MG RESISTOR 4.7kΩ,1/10W	R3019		QRE141J-0R0Y	RESISTOR 0Ω,1/4W
R2056		NRSA02J-101X	MG RESISTOR 100Ω,1/10W	R3022		NRSA02J-0R0X	MG RESISTOR 0Ω,1/10W
R2057		NRSA02J-473X	MG RESISTOR 47kΩ,1/10W	R3025		NRSA02J-0R0X	MG RESISTOR 0Ω,1/10W
R2058		NRSA02J-183X	MG RESISTOR 18kΩ,1/10W	R3026		NRSA02J-0R0X	MG RESISTOR 0Ω,1/10W

#	△	REF No.	PART No.	PART NAME, DESCRIPTION	#	△	REF No.	PART No.	PART NAME, DESCRIPTION	
R3027			NRSA02J-0R0X	MG RESISTOR	0Ω, 1/10W	R3211		NRSA02J-273X	MG RESISTOR	27kΩ, 1/10W
R3029			NRSA02J-472X	MG RESISTOR	4.7kΩ, 1/10W	R3212		NRSA02J-474X	MG RESISTOR	470kΩ, 1/10W
R3030			NRSA02J-472X	MG RESISTOR	4.7kΩ, 1/10W	R3213		NRSA02J-334X	MG RESISTOR	330kΩ, 1/10W
R3031			NRSA02J-0R0X	MG RESISTOR	0Ω, 1/10W	R3214		NRSA02J-103X	MG RESISTOR	10kΩ, 1/10W
R3032			NRSA02J-0R0X	MG RESISTOR	0Ω, 1/10W	R3215		NRSA02J-103X	MG RESISTOR	10kΩ, 1/10W
R3038			NRSA02J-152X	MG RESISTOR	1.5kΩ, 1/10W	R3216		NRSA02J-103X	MG RESISTOR	10kΩ, 1/10W
R3040			NRSA02J-0R0X	MG RESISTOR	0Ω, 1/10W	R3217		NRSA02J-562X	MG RESISTOR	5.6kΩ, 1/10W
R3041			NRSA02J-0R0X	MG RESISTOR	0Ω, 1/10W	R3218		QRE141J-472Y	RESISTOR	4.7kΩ, 1/4W
R3042			NRSA02J-0R0X	MG RESISTOR	0Ω, 1/10W	R3219		NRSA02J-472X	MG RESISTOR	4.7kΩ, 1/10W
R3044			QRE141J-0R0Y	RESISTOR	0Ω, 1/4W	R3220		NRSA02J-104X	MG RESISTOR	100kΩ, 1/10W
R3046			QRE141J-102Y	RESISTOR	1kΩ, 1/4W	R3222		NRSA02J-472X	MG RESISTOR	4.7kΩ, 1/10W
R3047			QRE141J-102Y	RESISTOR	1kΩ, 1/4W	R3223		NRSA02J-472X	MG RESISTOR	4.7kΩ, 1/10W
R3048			QRE141J-102Y	RESISTOR	1kΩ, 1/4W	R3224		NRSA02J-472X	MG RESISTOR	4.7kΩ, 1/10W
R3049			NRSA02J-0R0X	MG RESISTOR	0Ω, 1/10W	R3225		NRSA02J-103X	MG RESISTOR	10kΩ, 1/10W
R3050			NRSA02J-0R0X	MG RESISTOR	0Ω, 1/10W	R3229		NRSA02J-105X	MG RESISTOR	1MΩ, 1/10W
R3051			NRSA02J-471X	MG RESISTOR	470Ω, 1/10W	R3230		NRSA02J-472X	MG RESISTOR	4.7kΩ, 1/10W
R3052			NRSA02J-471X	MG RESISTOR	470Ω, 1/10W	R3231		NRSA02J-102X	MG RESISTOR	1kΩ, 1/10W
R3053			NRSA02J-471X	MG RESISTOR	470Ω, 1/10W	R3233		NRSA02J-103X	MG RESISTOR	10kΩ, 1/10W
R3054			NRSA02J-0R0X	MG RESISTOR	0Ω, 1/10W	R3234		NRSA02J-103X	MG RESISTOR	10kΩ, 1/10W
R3055			NRSA02J-0R0X	MG RESISTOR	0Ω, 1/10W	R3235		NRSA02J-102X	MG RESISTOR	1kΩ, 1/10W
R3056			NRSA02J-102X	MG RESISTOR	1kΩ, 1/10W	R3236		NRSA02J-102X	MG RESISTOR	1kΩ, 1/10W
R3057			NRSA02J-102X	MG RESISTOR	1kΩ, 1/10W	R3237		NRSA02J-103X	MG RESISTOR	10kΩ, 1/10W
R3058			NRSA02J-102X	MG RESISTOR	1kΩ, 1/10W	R3238		QRE141J-103Y	RESISTOR	10kΩ, 1/4W
R3059			NRSA02J-0R0X	MG RESISTOR	0Ω, 1/10W	R3239		NRSA02J-103X	MG RESISTOR	10kΩ, 1/10W
R3060			NRSA02J-471X	MG RESISTOR	470Ω, 1/10W	R3241		NRSA02J-104X	MG RESISTOR	100kΩ, 1/10W
R3061			NRSA02J-471X	MG RESISTOR	470Ω, 1/10W	R3242		NRSA02J-472X	MG RESISTOR	4.7kΩ, 1/10W
R3062			NRSA02J-103X	MG RESISTOR	10kΩ, 1/10W	R3244		NRSA02J-103X	MG RESISTOR	10kΩ, 1/10W
R3063			NRSA02J-0R0X	MG RESISTOR	0Ω, 1/10W	R3247		NRSA02J-0R0X	MG RESISTOR	0Ω, 1/10W
R3066			NRSA02J-472X	MG RESISTOR	4.7kΩ, 1/10W	R3251		NRSA02J-103X	MG RESISTOR	10kΩ, 1/10W
R3069			NRSA02J-101X	MG RESISTOR	100Ω, 1/10W	R3501		NRSA02J-153X	MG RESISTOR	15kΩ, 1/10W
R3071			NRSA02J-103X	MG RESISTOR	10kΩ, 1/10W	R3502		NRSA02J-272X	MG RESISTOR	2.7kΩ, 1/10W
R3072			NRSA02J-0R0X	MG RESISTOR	0Ω, 1/10W	R3503		NRSA02J-153X	MG RESISTOR	15kΩ, 1/10W
R3073			NRSA02J-0R0X	MG RESISTOR	0Ω, 1/10W	R3504		NRSA02J-223X	MG RESISTOR	22kΩ, 1/10W
R3075			NRSA02J-471X	MG RESISTOR	470Ω, 1/10W	R3505		NRSA02J-562X	MG RESISTOR	5.6kΩ, 1/10W
R3076			NRSA02J-471X	MG RESISTOR	470Ω, 1/10W	R3506		NRSA02J-123X	MG RESISTOR	12kΩ, 1/10W
R3078			NRSA02J-0R0X	MG RESISTOR	0Ω, 1/10W	R3671		NRSA02J-103X	MG RESISTOR	10kΩ, 1/10W
R3083			NRSA02J-0R0X	MG RESISTOR	0Ω, 1/10W	R3672		NRSA02J-103X	MG RESISTOR	10kΩ, 1/10W
R3085			NRSA02J-0R0X	MG RESISTOR	0Ω, 1/10W	R3673		NRSA02J-103X	MG RESISTOR	10kΩ, 1/10W
R3086			NRSA02J-0R0X	MG RESISTOR	0Ω, 1/10W	R4001		NRSA02J-472X	MG RESISTOR	4.7kΩ, 1/10W
R3087			NRSA02J-0R0X	MG RESISTOR	0Ω, 1/10W	R4003		NRSA02J-561X	MG RESISTOR	560Ω, 1/10W
R3088			NRSA02J-0R0X	MG RESISTOR	0Ω, 1/10W	R4004		NRSA02J-561X	MG RESISTOR	560Ω, 1/10W
R3089			NRSA02J-0R0X	MG RESISTOR	0Ω, 1/10W	R4005		NRSA02J-562X	MG RESISTOR	5.6kΩ, 1/10W
R3090			NRSA02J-0R0X	MG RESISTOR	0Ω, 1/10W	R4007		NRSA02J-102X	MG RESISTOR	1kΩ, 1/10W
R3091			NRSA02J-102X	MG RESISTOR	1kΩ, 1/10W	R4008		NRSA02J-102X	MG RESISTOR	1kΩ, 1/10W
R3094			QRE141J-0R0Y	RESISTOR	0Ω, 1/4W	R4009		NRSA02J-102X	MG RESISTOR	1kΩ, 1/10W
R3095			QRE141J-0R0Y	RESISTOR	0Ω, 1/4W	R4010		NRSA02J-103X	MG RESISTOR	10kΩ, 1/10W
R3096			QRE141J-0R0Y	RESISTOR	0Ω, 1/4W	R4011		NRSA02J-102X	MG RESISTOR	1kΩ, 1/10W
R3097			NRSA02J-0R0X	MG RESISTOR	0Ω, 1/10W	R4012		NRSA02J-222X	MG RESISTOR	2.2kΩ, 1/10W
R3103			NRSA02J-0R0X	MG RESISTOR	0Ω, 1/10W	R4013		NRSA02J-102X	MG RESISTOR	1kΩ, 1/10W
R3105			NRSA02J-102X	MG RESISTOR	1kΩ, 1/10W	R4014		NRSA02J-182X	MG RESISTOR	1.8kΩ, 1/10W
R3106			NRSA02J-102X	MG RESISTOR	1kΩ, 1/10W	R4015		NRSA02J-223X	MG RESISTOR	22kΩ, 1/10W
R3201			NRSA02J-103X	MG RESISTOR	10kΩ, 1/10W	R4016		NRSA02J-103X	MG RESISTOR	10kΩ, 1/10W
R3202			NRSA02J-472X	MG RESISTOR	4.7kΩ, 1/10W	R4017		NRSA02J-102X	MG RESISTOR	1kΩ, 1/10W
R3203			NRSA02J-103X	MG RESISTOR	10kΩ, 1/10W	R4018		NRSA02J-102X	MG RESISTOR	1kΩ, 1/10W
R3204			NRSA02J-222X	MG RESISTOR	2.2kΩ, 1/10W	R4019		NRSA02J-103X	MG RESISTOR	10kΩ, 1/10W
R3205			QRE141J-181Y	RESISTOR	180Ω, 1/4W	R4020		NRSA02J-103X	MG RESISTOR	10kΩ, 1/10W
R3206			QRE141J-183Y	RESISTOR	18kΩ, 1/4W	R4021		NRSA02J-103X	MG RESISTOR	10kΩ, 1/10W
R3207			NRSA02J-183X	MG RESISTOR	18kΩ, 1/10W	△	R5001	QRZ9046-475Z	RESISTOR	4.7MΩ, 1/2W
R3208			NRSA02J-181X	MG RESISTOR	180Ω, 1/10W	R5101		QRG02GJ-104	OMF RESISTOR	100kΩ, 2W
R3209			NRSA02J-273X	MG RESISTOR	27kΩ, 1/10W	R5102		QRE141J-820Y	RESISTOR	82Ω, 1/4W
R3210			NRSA02J-181X	MG RESISTOR	180Ω, 1/10W	R5103		NRSA02J-681X	MG RESISTOR	680Ω, 1/10W

#	△ REF No.	PART No.	PART NAME, DESCRIPTION	#	△ REF No.	PART No.	PART NAME, DESCRIPTION
	R5104	QRG02GJ-683	OMF RESISTOR 68kΩ,2W		C30	NCB21CK-474X	CAPACITOR 0.47μF,16V
	R5105	QRT01DJ-R39X	MF RESISTOR 0.39Ω,1W		C31	QEKJ0JM-476	E CAPACITOR 47μF,6.3V
	R5106	NRSA02J-562X	MG RESISTOR 5.6kΩ,1/10W		C32	QCFB1HZ-104	CAPACITOR 0.1μF,50V
	R5301	QRE141J-1R0Y	RESISTOR 1Ω,1/4W		C33	QEKJ1HM-225	E CAPACITOR 2.2μF,50V
	R5302	NRSA02J-102X	MG RESISTOR 1kΩ,1/10W		C34	NCB21EK-104X	CAPACITOR 0.1μF,25V
	R5303	NRSA02J-122X	MG RESISTOR 1.2kΩ,1/10W		C35	NCB21EK-104X	CAPACITOR 0.1μF,25V
△	R5304	QRZ9005-221X	FUSI RESISTOR 220Ω,1/4W		C36	QEKJ1EM-475	E CAPACITOR 4.7μF,25V
	R5305	NRSA02J-471X	MG RESISTOR 470Ω,1/10W		C37	NCB21AK-105X	CAPACITOR 1μF,10V
	R5306	NRSA02J-683X	MG RESISTOR 68kΩ,1/10W		C38	QEKJ0JM-476	E CAPACITOR 47μF,6.3V
	R5308	NRSA02J-472X	MG RESISTOR 4.7kΩ,1/10W		C39	NCB21EK-104X	CAPACITOR 0.1μF,25V
	R5309	QRE141J-222Y	RESISTOR 2.2kΩ,1/4W		C40	QEKJ1CM-106	E CAPACITOR 10μF,16V
	R5327	NRVA02D-303X	CMF RESISTOR 30kΩ,1/10W		C54	NDC21HJ-221X	CAPACITOR 220pF,50V
	R5330	NRSA02J-103X	MG RESISTOR 10kΩ,1/10W		C59	NCB21EK-104X	CAPACITOR 0.1μF,25V
	R5332	NRSA02J-103X	MG RESISTOR 10kΩ,1/10W		C60	QEKJ0JM-476	E CAPACITOR 47μF,6.3V
	R5334	QRE141J-103Y	RESISTOR 10kΩ,1/4W		C61	NCB21HK-103X	CAPACITOR 0.01μF,50V
	R5335	NRSA02J-472X	MG RESISTOR 4.7kΩ,1/10W		C63	NCB21EK-104X	CAPACITOR 0.1μF,25V
	R5336	NRSA02J-222X	MG RESISTOR 2.2kΩ,1/10W		C64	NDC21HJ-120X	CAPACITOR 12pF,50V
	R6020	NRSA02J-102X	MG RESISTOR 1kΩ,1/10W		C71	NCB21HK-103X	CAPACITOR 0.01μF,50V
	R6021	NRSA02J-102X	MG RESISTOR 1kΩ,1/10W		C72	NDC21HJ-470X	CAPACITOR 47pF,50V
	R6022	NRSA02J-102X	MG RESISTOR 1kΩ,1/10W		C73	NDC21HJ-120X	CAPACITOR 12pF,50V
	R6031	NRSA02J-0R0X	MG RESISTOR 0Ω,1/10W		C74	NDC21HJ-120X	CAPACITOR 12pF,50V
	R6032	NRSA02J-123X	MG RESISTOR 12kΩ,1/10W		C80	NCB21HK-103X	CAPACITOR 0.01μF,50V
	R6050	NRSA02J-0R0X	MG RESISTOR 0Ω,1/10W		C84	NDC21HJ-220X	CAPACITOR 22pF,50V
	R6053	NRSA02J-102X	MG RESISTOR 1kΩ,1/10W		C94	NRSA02J-0R0X	MG RESISTOR 0Ω,1/10W
	R6061	NRSA02J-103X	MG RESISTOR 10kΩ,1/10W		C106	NDC21HJ-560X	CAPACITOR 56pF,50V
	R6508	NRSA02J-0R0X	MG RESISTOR 0Ω,1/10W		C108	NDC21HJ-150X	CAPACITOR 15pF,50V
	R6510	NRSA02J-0R0X	MG RESISTOR 0Ω,1/10W		C109	NCB21CK-224X	CAPACITOR 0.22μF,16V
	R6551	QRE141J-271Y	RESISTOR 270Ω,1/4W		C110	NCB21HK-331X	CAPACITOR 330pF,50V
	R6552	NRSA02J-101X	MG RESISTOR 100Ω,1/10W		C401	NCB21EK-103X	CAPACITOR 0.01μF,25V
	R6553	QRE141J-0R0Y	RESISTOR 0Ω,1/4W		C402	NCB21HK-223X	CAPACITOR 0.022μF,50V
	R6554	QRE141J-0R0Y	RESISTOR 0Ω,1/4W		C403	NDC21HJ-151X	CAPACITOR 150pF,50V
	R7202	NRSA02J-221X	MG RESISTOR 220Ω,1/10W		C404	NDC21HJ-180X	CAPACITOR 18pF,50V
	R7203	NRSA02J-472X	MG RESISTOR 4.7kΩ,1/10W		C405	NDC21HJ-220X	CAPACITOR 22pF,50V
	R7204	QRE121J-100Y	RESISTOR 10Ω,1/2W		C406	NDC21HJ-681X	CAPACITOR 680pF,50V
	C1	NCF21CZ-105X	CAPACITOR 1μF,16V		C407	NDC21HJ-150X	CAPACITOR 15pF,50V
	C2	NCF21CZ-105X	CAPACITOR 1μF,16V		C2001	QETN1HM-475	E CAPACITOR 4.7μF,50V
	C3	NCF21CZ-105X	CAPACITOR 1μF,16V		C2002	QEKJ1CM-106	E CAPACITOR 10μF,16V
	C4	NCF21CZ-105X	CAPACITOR 1μF,16V		C2003	QEKJ0JM-476	E CAPACITOR 47μF,6.3V
	C5	QEKJ0JM-476	E CAPACITOR 47μF,6.3V		C2004	NCB21HK-103X	CAPACITOR 0.01μF,50V
	C6	NCB11EK-104X	CAPACITOR 0.1μF,25V		C2005	QEKJ1EM-475	E CAPACITOR 4.7μF,25V
	C7	NCB21HK-102X	CAPACITOR 0.001μF,50V		C2006	NCB21HK-123X	CAPACITOR 0.012μF,50V
	C8	NCB21EK-104X	CAPACITOR 0.1μF,25V		C2007	QEKJ1CM-226	E CAPACITOR 22μF,16V
	C9	QETN1HM-225	E CAPACITOR 2.2μF,50V		C2008	QERF1EM-475	E CAPACITOR 4.7μF,25V
	C10	NDC21HG-151X	CAPACITOR 150pF,50V		C2009	NCB21HK-102X	CAPACITOR 0.001μF,50V
	C11	NCB21EK-104X	CAPACITOR 0.1μF,25V		C2010	NCB21HK-222X	CAPACITOR 0.0022μF,50V
	C12	NDC21HJ-120X	CAPACITOR 12pF,50V		C2011	QEKJ1EM-475	E CAPACITOR 4.7μF,25V
	C14	NCB21EK-104X	CAPACITOR 0.1μF,25V		C2012	QEKJ1EM-475	E CAPACITOR 4.7μF,25V
	C15	NCB21HK-103X	CAPACITOR 0.01μF,50V		C2051	NCB21HK-331X	CAPACITOR 330pF,50V
	C16	NCB11EK-104X	CAPACITOR 0.1μF,25V		C2061	QFLC1HJ-333Z	F CAPACITOR 0.033μF,50V
	C17	QEKJ1HM-335	E CAPACITOR 3.3μF,50V		C2062	NCB21HK-332X	CAPACITOR 0.0033μF,50V
	C19	QEKJ1CM-106	E CAPACITOR 10μF,16V		C2063	NCB21HK-103X	CAPACITOR 0.01μF,50V
	C20	QEKJ1HM-105	E CAPACITOR 1μF,50V		C2064	QEKJ1CM-106	E CAPACITOR 10μF,16V
	C21	NCB21EK-104X	CAPACITOR 0.1μF,25V		C2101	QEKJ1CM-106	E CAPACITOR 10μF,16V
	C22	QEKJ0JM-476	E CAPACITOR 47μF,6.3V		C2102	QEKJ1CM-106	E CAPACITOR 10μF,16V
	C23	NCB21EK-104X	CAPACITOR 0.1μF,25V		C2104	NCB21EK-104X	CAPACITOR 0.1μF,25V
	C24	NCB21EK-104X	CAPACITOR 0.1μF,25V		C2202	NCB21EK-333X	CAPACITOR 0.033μF,25V
	C25	NDC21HJ-4R0X	CAPACITOR 4pF,50V		C2203	QEKJ1CM-106	E CAPACITOR 10μF,16V
	C26	NCB21HK-103X	CAPACITOR 0.01μF,50V		C2204	QDGB1HK-102Y	CAPACITOR 0.001μF,50V
	C27	NCB21HK-223X	CAPACITOR 0.022μF,50V		C2205	QEKJ1HM-105	E CAPACITOR 1μF,50V
	C28	QEKJ1HM-335	E CAPACITOR 3.3μF,50V		C2206	QEKJ1CM-106	E CAPACITOR 10μF,16V
	C29	NCB21HK-472X	CAPACITOR 0.0047μF,50V		C2207	QEKJ1CM-476	E CAPACITOR 47μF,16V

#	△	REF No.	PART No.	PART NAME, DESCRIPTION		#	△	REF No.	PART No.	PART NAME, DESCRIPTION	
C2208			QETN1HM-475	E CAPACITOR	4.7μF,50V	C3041			NDC21HJ-100X	CAPACITOR	10pF,50V
C2209			QERF1HM-104	E CAPACITOR	0.1μF,50V	C3042			QEKJ0JM-107	E CAPACITOR	100μF,6.3V
C2210			QEKJ1HM-104	E CAPACITOR	0.1μF,50V	C3501			NCB21EK-104X	CAPACITOR	0.1μF,25V
C2211			QERF1HM-105	E CAPACITOR	1μF,50V	C3502			QEKJ1CM-106	E CAPACITOR	10μF,16V
C2212			QEKJ1HM-105	E CAPACITOR	1μF,50V	C3503			NCB21HK-103X	CAPACITOR	0.01μF,50V
C2215			QERF1EM-475	E CAPACITOR	4.7μF,25V	C3602			NCB21EK-104X	CAPACITOR	0.1μF,25V
C2216			QEKJ1HM-474	E CAPACITOR	0.47μF,50V	C3652			NCB21EK-104X	CAPACITOR	0.1μF,25V
C2217			QEKJ1CM-106	E CAPACITOR	10μF,16V	C4002			NCB21EK-104X	CAPACITOR	0.1μF,25V
C2218			QEKJ1HM-474	E CAPACITOR	0.47μF,50V	C4003			NCB21HK-102X	CAPACITOR	0.001μF,50V
C2219			QEKJ1CM-106	E CAPACITOR	10μF,16V	C4004			NBE20JM-226X	T CAPACITOR	22μF,6.3V
C2220			QEKJ1EM-475	E CAPACITOR	4.7μF,25V	C4006			NBE40JM-476X	T CAPACITOR	47μF,6.3V
C2221			NCB21HK-103X	CAPACITOR	0.01μF,50V	C4007			NCB21HK-102X	CAPACITOR	0.001μF,50V
C2222			QEKJ1HM-474	E CAPACITOR	0.47μF,50V	C4008			NCB21AK-105X	CAPACITOR	1μF,10V
C2223			QEKJ1HM-474	E CAPACITOR	0.47μF,50V	C4009			NCB21HK-563X	CAPACITOR	0.056μF,50V
C2224			NCB21HK-103X	CAPACITOR	0.01μF,50V	C4010			NCB21EK-223X	CAPACITOR	0.022μF,25V
C2225			QEKJ1EM-475	E CAPACITOR	4.7μF,25V	C4011			NCB21EK-104X	CAPACITOR	0.1μF,25V
C2226			QEKJ1CM-106	E CAPACITOR	10μF,16V	C4012			NCB21EK-224X	CAPACITOR	0.22μF,25V
C2227			NCB21CK-104X	CAPACITOR	0.1μF,16V	C4013			NCB21HK-563X	CAPACITOR	0.056μF,50V
C2229			NDC21HJ-101X	CAPACITOR	100pF,50V	C4014			NDC21HJ-101X	CAPACITOR	100pF,50V
C2230			NDC21HJ-101X	CAPACITOR	100pF,50V	C4015			NCB21HK-102X	CAPACITOR	0.001μF,50V
C2231			NCB21HK-102X	CAPACITOR	0.001μF,50V	C4017			NCB21HK-222X	CAPACITOR	0.0022μF,50V
C2251			QEKJ1CM-476	E CAPACITOR	47μF,16V	△ C5001			QFZ9073-683	F CAPACITOR	0.068μF,250V
C2252			NCB21HK-103X	CAPACITOR	0.01μF,50V	△ C5004			QCZ9094-472	CAPACITOR	0.0047μF,250V
C2253			NCB21CK-104X	CAPACITOR	0.1μF,16V	C5006			QETM2DM-157	E CAPACITOR	150μF,200V
C2254			NCB21CK-104X	CAPACITOR	0.1μF,16V	C5101			QCZ0212-472	CAPACITOR	0.0047μF,1kV
C2256			QEKJ0JM-107	E CAPACITOR	100μF,6.3V	C5102			QEMU1VM-276	E CAPACITOR	27μF,35V
C2501			QERF0JM-107	E CAPACITOR	100μF,6.3V	C5103			QCZ0136-101Z	CAPACITOR	100pF,1kV
C2502			NCB21HK-562X	CAPACITOR	0.0056μF,50V	C5104			QFLC1HJ-471Z	F CAPACITOR	470pF,50V
C2503			QERF1HM-105	E CAPACITOR	1μF,50V	C5107			QCZ0136-101Z	CAPACITOR	100pF,1kV
C2505			QEKJ0JM-107	E CAPACITOR	100μF,6.3V	C5201			QEMU0JM-227	E CAPACITOR	220μF,6.3V
C2506			NCB21HK-103X	CAPACITOR	0.01μF,50V	C5202			QEMT1CM-827	E CAPACITOR	820μF,16V
C2507			QERF1CM-226	E CAPACITOR	22μF,16V	C5203			QEMT1AM-158	E CAPACITOR	1500μF,10V
C2508			NCB21HK-103X	CAPACITOR	0.01μF,50V	C5204			QETN2AM-475	E CAPACITOR	4.7μF,100V
C2509			QERF1CM-106	E CAPACITOR	10μF,16V	C5205			QETN1HM-106	E CAPACITOR	10μF,50V
C2510			QEKJ1CM-476	E CAPACITOR	47μF,16V	C5206			QEMU1EM-187	E CAPACITOR	180μF,25V
C2511			NCB21HK-222X	CAPACITOR	0.0022μF,50V	C5207			QETN1CM-227	E CAPACITOR	220μF,16V
C2512			NDC21HJ-331X	CAPACITOR	330pF,50V	C5208			QETN1AM-227	E CAPACITOR	220μF,10V
C2513			NCB21HK-103X	CAPACITOR	0.01μF,50V	C5212			QEMU1VM-127	E CAPACITOR	120μF,35V
C2518			NCB21HK-102X	CAPACITOR	0.001μF,50V	C5213			QEMU0JM-227	E CAPACITOR	220μF,6.3V
C2519			NCB21HK-103X	CAPACITOR	0.01μF,50V	C5301			QETM0JM-108	E CAPACITOR	1000μF,6.3V
C2520			NCB21HK-103X	CAPACITOR	0.01μF,50V	C5302			QETN1HM-106	E CAPACITOR	10μF,50V
C3001			NCB21EK-104X	CAPACITOR	0.1μF,25V	C5303			QETN1CM-107	E CAPACITOR	100μF,16V
C3002			NCB21HK-103X	CAPACITOR	0.01μF,50V	C5304			QFVF1HJ-274Z	F CAPACITOR	0.27μF,50V
C3003			QEKJ1CM-106	E CAPACITOR	10μF,16V	C5305			NCB21HK-103X	CAPACITOR	0.01μF,50V
C3004			NCB21EK-104X	CAPACITOR	0.1μF,25V	C6054			NDC21HJ-220X	CAPACITOR	22pF,50V
C3008			NCB21HK-103X	CAPACITOR	0.01μF,50V	C6055			NDC21HJ-220X	CAPACITOR	22pF,50V
C3011			QETL0JM-478	E CAPACITOR	4700μF,6.3V	C7202			QETJ0JM-477	E CAPACITOR	470μF,6.3V
C3012			QEKJ0JM-107	E CAPACITOR	100μF,6.3V	L1			QQL29BJ-100Z	COIL	10μH
C3015			NCB21EK-104X	CAPACITOR	0.1μF,25V	L2			QQL231J-680Y	COIL	68μH
C3016			NCB21EK-104X	CAPACITOR	0.1μF,25V	L3			QQL29BJ-100Z	COIL	10μH
C3022			NCB21EK-104X	CAPACITOR	0.1μF,25V	L4			QQL29BJ-100Z	COIL	10μH
C3024			NDC21HJ-120X	CAPACITOR	12pF,50V	L5			QQL29BJ-100Z	COIL	10μH
C3026			NCB21HK-103X	CAPACITOR	0.01μF,50V	L11			QQL01BJ-120Z	COIL	12μH
C3027			NBE20JM-106X	T CAPACITOR	10μF,6.3V	L13			QQL231J-101Y	COIL	100μH
C3030			NBE20JM-226X	T CAPACITOR	22μF,6.3V	L15			QQL29BJ-100Z	COIL	10μH
C3031			NCB21HK-102X	CAPACITOR	0.001μF,50V	L19			QQL231J-100Y	COIL	10μH
C3032			NCB21EK-104X	CAPACITOR	0.1μF,25V	L24			QQL231J-180Y	COIL	18μH
C3033			NCB21EK-104X	CAPACITOR	0.1μF,25V	L27			QQL231J-151Y	COIL	150μH
C3036			NDC21HJ-180X	CAPACITOR	18pF,50V	L28			QQL231J-150Y	COIL	15μH
C3037			NDC21HJ-120X	CAPACITOR	12pF,50V	L401			QQL071J-150Y	COIL	15μH
C3040			QCFB1HZ-104	CAPACITOR	0.1μF,50V	L2251			QQL29BJ-100Z	COIL	10μH

#	△ REF No.	PART No.	PART NAME, DESCRIPTION	
L2501		QQL29BJ-2R2Z	COIL	2.2μH
L5201		PELN1184	COIL	33μH
L5202		PU60944-330K	COIL	33μH
L6031		NRSA02J-0R0X	MG RESISTOR	0Ω,1/10W
L7201		QQL01BJ-101Z	COIL	100μH
LPF2501		PELN1137	LOW PASS FILTER	
CF2501		QAX0399-001Z	RESONATOR	
LC2501		QQL29BJ-100Z	COIL	10μH
X2		QAX0575-001	CRYSTAL RESONATOR	
X3001		QAX0444-001	CRYSTAL RESONATOR	
X3002		QAX0527-001	CRYSTAL RESONATOR	
S3002		QSW0695-001	PUSH SWITCH,S CASS SW	
K2251		NQR0007-001X	FERRITE BEAD	
K2252		NQR0007-001X	FERRITE BEAD	
K2253		NQR0007-001X	FERRITE BEAD	
K5101		QQR0678-001Z	FERRITE BEAD	
K5102		QQR0678-001Z	FERRITE BEAD	
PC3001		GP3S123	IC(PHOTO SENSOR)	
PC3002		GP3S123	IC(PHOTO SENSOR)	
△ PC5101		PC817	IC(PHOTO COUPLER)	
T2052		PELN0861	OSC TRANSFORMER	
△ T5001		QQS0057-001	SW TRANSFORMER	
TU6001		QAU0163-001	TUNER	
ET1		PQ21623-1-5	EARTH PLATE(RF)	
ET2		LP40658-001A	EARTH PLATE(1)	
HS1		LP40621-001A	HEAT SINK,IC5101	
SD1		LP30720-001A	SHIELD CASE(PRE/REC)	
OT1		QYTDSF3010Z	SCREW,X2 TERMINAL	
OT2		PU59915-105	#500SPACER0.01,WR9	
OT3		QYTDST3008Z	SCREW,IC5101	
WR9		QUB371-09A2A2	SIN TWIST WIRE	
FC5001		QNG0006-001Z	FUSE CLIP,F5001	
FC5002		QNG0006-001Z	FUSE CLIP,F5001	
△ LF5002		QQR0532-001	LINE FILTER	
△ SG5001		QAF0046-242Z	SURGE ABSORBER	
△ VA5001		QAF0039-431Z	VARISTOR	
△ VA5002		QAF0039-431Z	VARISTOR	
CN1		QGF1028C1-13	FPC CONNECTOR,(4-16)U.DRUM	
CN901		QGF1207C1-04	FPC CONNECTOR,(1-4)FRONT S IN	
CN902		QGF1207C1-05	FPC CONNECTOR,(1-5)FRONT IN	
CN903		QGB2024K1-12S	CONNECTOR,(1-12)TERMINAL	
CN904		QGB2024K1-12S	CONNECTOR,(1-12)TERMINAL	
CN905		QGB2024K1-05S	CONNECTOR,(1-5)TERMINAL	
CN907		QGB2024K1-10S	CONNECTOR,(1-10)TERMINAL	
CN1901		QGF1207C1-11	FPC CONNECTOR,(1-11)GR	
CN2001		QGF1207C1-07	FPC CONNECTOR,(1-7)A/C HEAD	
CN2002		QGB2532J1-02	CONNECTOR,(1-2)FE HEAD	
CN2051		QGB2024K1-04S	CONNECTOR,(1-4)AUDIO ERASE	
CN3001		QGF1207C1-05	FPC CONNECTOR,(1-5)DRUM MDA	
CN3002		QGB2532J1-02	CONNECTOR,(1-2)LOADING MOTOR	
CN3003		QGB2015M2-08	CONNECTOR,(1-8)CAPSTAN MOTOR	
CN3004		QGB2534J2-04	CONNECTOR,(1-4)ROTARY ENCODER	
CN3011		QGF1207C1-14	FPC CONNECTOR,(1-14)FRONT	
CN3012		QGF1207C1-06	FPC CONNECTOR,(1-6)JOG	
CN3501		QGB2011L2-06	CONNECTOR,(1-6)DD MDA	
△ CN5001		QGA7901C3-02	CONNECTOR,(1-2)AC IN	
△ CP4001		ICP-N25	CIRCUIT PROTECTOR	
△ CP5301		ICP-N38	CIRCUIT PROTECTOR	
△ CP5302		ICP-N25	CIRCUIT PROTECTOR	
△ F5001		QMF51N2-1R25J1	FUSE	T1.25A,AC250V

#	△ REF No.	PART No.	PART NAME, DESCRIPTION	
***** 3D DIGITAL/4M BOARD ASSEMBLY <05> *****				
PW1		LPA10104-01B	3D DIGITAL/4M BOARD ASSY	
IC1401		JCP8026	IC	
IC1402		MN47V77S-XE	IC	
Q1401		2SC1317/RS/-T	TRANSISTOR	
Q1402		2SA1576A/QR/-X	TRANSISTOR	
		or 2PA1576/R/-X	TRANSISTOR	
Q1403		2SA1576A/QR/-X	TRANSISTOR	
		or 2PA1576/R/-X	TRANSISTOR	
Q1404		DTC144WU	TRANSISTOR	
		or PDTC144WU	TRANSISTOR	
		or UN521E	TRANSISTOR	
		or RN1309	TRANSISTOR	
Q1406		2SA1576A/QR/-X	TRANSISTOR	
		or 2PA1576/R/-X	TRANSISTOR	
Q1407		2SA1576A/QR/-X	TRANSISTOR	
		or 2PA1576/R/-X	TRANSISTOR	
Q1408		2SC4081/S/-X	TRANSISTOR	
Q1410		2SC4081/QRS/-X	TRANSISTOR	
		or 2PC4081/R/-X	TRANSISTOR	
Q1412		2SC4081/QRS/-X	TRANSISTOR	
		or 2PC4081/R/-X	TRANSISTOR	
Q1413		2SA1576A/QR/-X	TRANSISTOR	
		or 2PA1576/R/-X	TRANSISTOR	
Q1414		DTC144WU	TRANSISTOR	
		or PDTC144WU	TRANSISTOR	
		or RN1309	TRANSISTOR	
		or UN521E	TRANSISTOR	
Q1417		2SA1576A/QR/-X	TRANSISTOR	
		or 2PA1576/R/-X	TRANSISTOR	
Q1418		2SA1576A/QR/-X	TRANSISTOR	
		or 2PA1576/R/-X	TRANSISTOR	
Q1419		DTC124TU	TRANSISTOR	
D1401		RD4.3ES/B2/-T2	ZENER DIODE	
		or MTZJ4.3B	ZENER DIODE	
D1402		1SS133	DIODE	
		or 1N4148M	DIODE	
R1401		NRSA02J-271X	MG RESISTOR	270Ω,1/10W
R1402		NRSA02J-101X	MG RESISTOR	100Ω,1/10W
R1404		NRSA02J-182X	MG RESISTOR	1.8kΩ,1/10W
R1406		NRSA02J-471X	MG RESISTOR	470Ω,1/10W
R1407		NRSA02J-272X	MG RESISTOR	2.7kΩ,1/10W
R1410		NRSA02J-241X	MG RESISTOR	240Ω,1/10W
R1411		NRSA02J-152X	MG RESISTOR	1.5kΩ,1/10W
R1413		NRSA02J-471X	MG RESISTOR	470Ω,1/10W
R1414		NRSA02J-821X	MG RESISTOR	820Ω,1/10W
R1415		NRSA02J-221X	MG RESISTOR	220Ω,1/10W
R1416		NRSA02J-104X	MG RESISTOR	100kΩ,1/10W
R1417		NRSA02J-101X	MG RESISTOR	100Ω,1/10W
R1418		NRSA02J-471X	MG RESISTOR	470Ω,1/10W
R1421		NRSA02J-331X	MG RESISTOR	330Ω,1/10W
R1426		NRSA02J-821X	MG RESISTOR	820Ω,1/10W
R1427		NRSA02J-333X	MG RESISTOR	33kΩ,1/10W
R1428		NRSA02J-393X	MG RESISTOR	39kΩ,1/10W
R1429		NRSA02J-152X	MG RESISTOR	1.5kΩ,1/10W
R1430		NRSA02J-222X	MG RESISTOR	2.2kΩ,1/10W
R1431		NRSA02J-821X	MG RESISTOR	820Ω,1/10W
R1432		NRSA02J-182X	MG RESISTOR	1.8kΩ,1/10W

#	△	REF No.	PART No.	PART NAME, DESCRIPTION
R1433			NRSA02J-510X	MG RESISTOR 51Ω,1/10W
R1434			NRSA02J-153X	MG RESISTOR 15kΩ,1/10W
R1435			NRSA02J-103X	MG RESISTOR 10kΩ,1/10W
R1436			NRSA02J-392X	MG RESISTOR 3.9kΩ,1/10W
R1437			NRSA02J-392X	MG RESISTOR 3.9kΩ,1/10W
R1438			NRSA02J-473X	MG RESISTOR 47kΩ,1/10W
R1439			NRSA02J-273X	MG RESISTOR 27kΩ,1/10W
R1440			NRSA02J-473X	MG RESISTOR 47kΩ,1/10W
R1441			NRSA02J-682X	MG RESISTOR 6.8kΩ,1/10W
R1442			NRSA02J-682X	MG RESISTOR 6.8kΩ,1/10W
R1446			NRSA02J-102X	MG RESISTOR 1kΩ,1/10W
R1447			NRSA02J-102X	MG RESISTOR 1kΩ,1/10W
R1448			NRSA02J-102X	MG RESISTOR 1kΩ,1/10W
R1449			NRSA02J-102X	MG RESISTOR 1kΩ,1/10W
R1450			NRSA02J-102X	MG RESISTOR 1kΩ,1/10W
R1452			NRSA02J-102X	MG RESISTOR 1kΩ,1/10W
R1453			NRSA02J-102X	MG RESISTOR 1kΩ,1/10W
R1454			NRSA02J-102X	MG RESISTOR 1kΩ,1/10W
R1455			NRSA02J-681X	MG RESISTOR 680Ω,1/10W
R1458			NRSA02J-561X	MG RESISTOR 560Ω,1/10W
R1459			NRSA02J-681X	MG RESISTOR 680Ω,1/10W
R1460			NRSA02J-273X	MG RESISTOR 27kΩ,1/10W
R1462			NRSA02J-0R0X	MG RESISTOR 0Ω,1/10W
VR1401			QVZ3521-103Z	V RESISTOR,D/A LEVEL ADJ
C1401			QEKJ1CM-336	E CAPACITOR 33μF,16V
C1402			NCB21HK-103X	CAPACITOR 0.01μF,50V
C1403			QEKJ0JM-337	E CAPACITOR 330μF,6.3V
C1404			NCF21EZ-104X	CAPACITOR 0.1μF,25V
C1405			NCF21EZ-104X	CAPACITOR 0.1μF,25V
C1406			NCB21HK-103X	CAPACITOR 0.01μF,50V
C1407			NDC21HJ-680X	CAPACITOR 68pF,50V
C1408			NDC21HJ-330X	CAPACITOR 33pF,50V
C1410			QEKJ1EM-475	E CAPACITOR 4.7μF,25V
C1411			NCF21EZ-104X	CAPACITOR 0.1μF,25V
C1412			NDC21HJ-680X	CAPACITOR 68pF,50V
C1413			NDC21HJ-330X	CAPACITOR 33pF,50V
C1415			NCF21EZ-104X	CAPACITOR 0.1μF,25V
C1416			QEKJ1CM-106	E CAPACITOR 10μF,16V
C1417			NCF21EZ-104X	CAPACITOR 0.1μF,25V
C1421			NDC21HJ-330X	CAPACITOR 33pF,50V
C1422			NDC21HJ-680X	CAPACITOR 68pF,50V
C1423			NCF21EZ-104X	CAPACITOR 0.1μF,25V
C1424			NCB21HK-103X	CAPACITOR 0.01μF,50V
C1425			NCB21HK-103X	CAPACITOR 0.01μF,50V
C1426			NDC21HJ-390X	CAPACITOR 39pF,50V
C1428			NDC21HJ-220X	CAPACITOR 22pF,50V
C1429			QEKJ0JM-337	E CAPACITOR 330μF,6.3V
C1430			NCF21EZ-104X	CAPACITOR 0.1μF,25V
C1432			NCF21CZ-105X	CAPACITOR 1μF,16V
C1433			NCF21EZ-104X	CAPACITOR 0.1μF,25V
C1435			NCF21EZ-104X	CAPACITOR 0.1μF,25V
C1436			NCF21EZ-104X	CAPACITOR 0.1μF,25V
C1437			NCF21EZ-104X	CAPACITOR 0.1μF,25V
C1438			NCF21EZ-104X	CAPACITOR 0.1μF,25V
C1439			NCF21CZ-105X	CAPACITOR 1μF,16V
C1440			NCF21EZ-104X	CAPACITOR 0.1μF,25V
C1441			NCF21EZ-104X	CAPACITOR 0.1μF,25V
C1442			NCF21CZ-105X	CAPACITOR 1μF,16V
C1444			NCF21EZ-104X	CAPACITOR 0.1μF,25V
C1445			NCF21EZ-104X	CAPACITOR 0.1μF,25V
C1446			QEKJ0JM-107	E CAPACITOR 100μF,6.3V

#	△	REF No.	PART No.	PART NAME, DESCRIPTION
C1447			NCF21EZ-104X	CAPACITOR 0.1μF,25V
C1448			QEKJ0JM-337	E CAPACITOR 330μF,6.3V
C1449			NCF21EZ-104X	CAPACITOR 0.1μF,25V
C1451			QEKJ1EM-475	E CAPACITOR 4.7μF,25V
C1452			NCF21EZ-104X	CAPACITOR 0.1μF,25V
C1453			NCF21EZ-104X	CAPACITOR 0.1μF,25V
C1454			NCF21EZ-104X	CAPACITOR 0.1μF,25V
C1455			NCF21EZ-104X	CAPACITOR 0.1μF,25V
C1456			QEKJ0JM-337	E CAPACITOR 330μF,6.3V
C1457			NCF21EZ-104X	CAPACITOR 0.1μF,25V
C1458			NCF21EZ-104X	CAPACITOR 0.1μF,25V
C1459			NDC21HJ-470X	CAPACITOR 47pF,50V
C1460			NDC21HJ-470X	CAPACITOR 47pF,50V
C1461			NDC21HJ-470X	CAPACITOR 47pF,50V
C1462			NDC21HJ-470X	CAPACITOR 47pF,50V
C1463			QEKJ0JM-336	E CAPACITOR 33μF,6.3V
C1465			NDC21HJ-470X	CAPACITOR 47pF,50V
C1466			NDC21HJ-470X	CAPACITOR 47pF,50V
C1467			NDC21HJ-470X	CAPACITOR 47pF,50V
C1468			NDC21HJ-470X	CAPACITOR 47pF,50V
C1471			NCF21EZ-104X	CAPACITOR 0.1μF,25V
C1472			NCF21EZ-104X	CAPACITOR 0.1μF,25V
C1473			NCF21EZ-104X	CAPACITOR 0.1μF,25V
L1401			QQL29BJ-100Z	COIL 10μH
L1402			QQL071J-6R8Y	COIL 6.8μH
L1403			QQL071J-6R8Y	COIL 6.8μH
L1404			QQL071J-6R8Y	COIL 6.8μH
L1405			QQL29BJ-100Z	COIL 10μH
L1406			QQL071J-330Y	COIL 33μH
L1407			QQL29BJ-100Z	COIL 10μH
L1408			QQL29BJ-4R7Z	COIL 4.7μH
LC1401			QQR0657-013Z	NOISE FILTER
LC1402			QQR0657-010Z	NOISE FILTER
SD1			LP30706-001B	SHIELD FRAME(S VHS)
SD2			LP30684-001A	SHIELD CASE(S VHS)
CN1401			QGG2502K1-17	HEADER PIN

TERMINAL BOARD ASSEMBLY <06>

PW1	LPA10101-01B	TERMINAL BOARD ASSY
IC201	LC74785N-9762	IC (OSD)
Q203	DTC144WU	TRANSISTOR
	or PDC144WU	TRANSISTOR
	or RN1309	TRANSISTOR
	or UN521E	TRANSISTOR
Q207	2SA1576A/QR/-X	TRANSISTOR
	or 2PA1576/R/-X	TRANSISTOR
Q901	2SA1576A/QR/-X	TRANSISTOR
	or 2PA1576/R/-X	TRANSISTOR
Q903	2SA1576A/QR/-X	TRANSISTOR
	or 2PA1576/R/-X	TRANSISTOR
Q904	2SA1576A/QR/-X	TRANSISTOR
	or 2PA1576/R/-X	TRANSISTOR
D201	1SS133	DIODE
D204	1SS133	DIODE
D205	1SS133	DIODE

#	△ REF No.	PART No.	PART NAME, DESCRIPTION
D206		1SS133	DIODE
D207		1SS133	DIODE
R201		NRSA02J-0R0X	MG RESISTOR 0Ω,1/10W
R205		NRSA02J-103X	MG RESISTOR 10kΩ,1/10W
R207		NRSA02J-0R0X	MG RESISTOR 0Ω,1/10W
R208		NRSA02J-222X	MG RESISTOR 2.2kΩ,1/10W
R212		NRSA02J-331X	MG RESISTOR 330Ω,1/10W
R213		NRSA02J-0R0X	MG RESISTOR 0Ω,1/10W
R214		NRSA02J-103X	MG RESISTOR 10kΩ,1/10W
R215		NRSA02J-103X	MG RESISTOR 10kΩ,1/10W
R217		NRSA02J-103X	MG RESISTOR 10kΩ,1/10W
R218		NRSA02J-331X	MG RESISTOR 330Ω,1/10W
R219		NRSA02J-102X	MG RESISTOR 1kΩ,1/10W
R223		NRSA02J-0R0X	MG RESISTOR 0Ω,1/10W
R901		NRSA02J-750X	MG RESISTOR 75Ω,1/10W
R904		QRE123J-331X	RESISTOR 330Ω,1/2W
R905		NRSA02J-101X	MG RESISTOR 100Ω,1/10W
R911		NRSA02J-750X	MG RESISTOR 75Ω,1/10W
R914		NRSA02J-750X	MG RESISTOR 75Ω,1/10W
R915		NRSA02J-750X	MG RESISTOR 75Ω,1/10W
R916		NRSA02J-750X	MG RESISTOR 75Ω,1/10W
R917		NRSA02J-750X	MG RESISTOR 75Ω,1/10W
R919		QRE123J-331X	RESISTOR 330Ω,1/2W
R920		NRSA02J-101X	MG RESISTOR 100Ω,1/10W
R921		NRSA02J-101X	MG RESISTOR 100Ω,1/10W
R922		QRE123J-331X	RESISTOR 330Ω,1/2W
R934		NRSA02J-101X	MG RESISTOR 100Ω,1/10W
R935		NRSA02J-100X	MG RESISTOR 10Ω,1/10W
R941		NRSA02J-0R0X	MG RESISTOR 0Ω,1/10W
R942		NRSA02J-101X	MG RESISTOR 100Ω,1/10W
R943		NRSA02J-101X	MG RESISTOR 100Ω,1/10W
R947		NRSA02J-221X	MG RESISTOR 220Ω,1/10W
R948		NRSA02J-221X	MG RESISTOR 220Ω,1/10W
C201		QEKJ0JM-337	E CAPACITOR 330μF,6.3V
C202		NCB21CK-224X	CAPACITOR 0.22μF,16V
C204		NCB21HK-103X	CAPACITOR 0.01μF,50V
C206		NDC21HJ-330X	CAPACITOR 33pF,50V
C207		NDC21HJ-330X	CAPACITOR 33pF,50V
C214		NCB21CK-224X	CAPACITOR 0.22μF,16V
C218		NCB21AK-105X	CAPACITOR 1μF,10V
C220		NCB21HK-103X	CAPACITOR 0.01μF,50V
C222		NCB21AK-105X	CAPACITOR 1μF,10V
C223		NDC21HJ-680X	CAPACITOR 68pF,50V
C902		QETJ0JM-477	E CAPACITOR 470μF,6.3V
C903		QEKJ1CM-107	E CAPACITOR 100μF,16V
C904		NCB21HK-103X	CAPACITOR 0.01μF,50V
C911		NRSA02J-0R0X	MG RESISTOR 0Ω,1/10W
C912		NCB21HK-103X	CAPACITOR 0.01μF,50V
C914		QETJ0JM-477	E CAPACITOR 470μF,6.3V
C918		NCB21HK-103X	CAPACITOR 0.01μF,50V
L201		QQL29BJ-100Z	COIL 10μH
L203		QQL231J-220Y	COIL 22μH
L901		QQL29BJ-100Z	COIL 10μH
SW901		QSW0887-001	SLIDE SWITCH
△ TB1		LP30716-001A	TERMINAL BOARD ASSY
OT1		QYTDSF3008Z	SCREW,X5
J901		QND0009-001	S JACK,S1 IN
J903		QND0009-001	S JACK,S1 OUT
J905		QNN0364-002	PIN JACK,VLR IN
J911		QNN0363-002	PIN JACK,VLR OUT
J923		PEMC1190	MINI JACK,JLIP

#	△ REF No.	PART No.	PART NAME, DESCRIPTION
J925		PU60659	MINI JACK,SAT.CTL
J926		PU60659	MINI JACK,R.PAUSE
CN911		QGF1208F1-14	FPC CONNECTOR,(1-14)S_SUB
CN912		QGF1208F1-08	FPC CONNECTOR,(1-8)NAVIGATION
CN913		QGB2024J1-12S	CONNECTOR,(1-12)MAIN
CN914		QGB2024J1-12S	CONNECTOR,(1-12)MAIN
CN915		QGB2024J1-05S	CONNECTOR,(1-5)MAIN
CN917		QGB2024J1-10S	CONNECTOR,(1-10)MAIN

AUDIO CONTROL HEAD BOARD ASSEMBLY <12>

PW1	LPA10010-01A1	A/C HEAD BOARD ASSY
CN1	QGF1208F1-07	FPC CONNECTOR

DEMOD BOARD ASSEMBLY <14>

PW1	PB11076A	DEMOD BOARD ASSY
IC1501	UPC1852AGT	IC
	or UPC1854AGT	IC
R1501	QRE141J-102Y	RESISTOR 1kΩ,1/4W
R1502	QRE141J-334Y	RESISTOR 330kΩ,1/4W
R1503	QRE141J-124Y	RESISTOR 120kΩ,1/4W
R1504	QRE141J-302Y	RESISTOR 3kΩ,1/4W
R1505	QRE141J-512Y	RESISTOR 5.1kΩ,1/4W
R1506	QRE141J-333Y	RESISTOR 33kΩ,1/4W
R1507	QRE141J-333Y	RESISTOR 33kΩ,1/4W
R1508	QRE141J-392Y	RESISTOR 3.9kΩ,1/4W
R1509	QRE141J-122Y	RESISTOR 1.2kΩ,1/4W
R1510	QRE141J-392Y	RESISTOR 3.9kΩ,1/4W
R1511	QRE141J-122Y	RESISTOR 1.2kΩ,1/4W
R1517	QRE141J-123Y	RESISTOR 12kΩ,1/4W
C1501	QETC1CM-226	E CAPACITOR 22μF,16V
C1502	QETC1HM-104	E CAPACITOR 0.1μF,50V
C1503	QETC1HM-105	E CAPACITOR 1μF,50V
C1504	QETC1HM-475	E CAPACITOR 4.7μF,50V
C1505	QETC1HM-225	E CAPACITOR 2.2μF,50V
C1506	QETC1HM-104	E CAPACITOR 0.1μF,50V
C1507	QFV11HJ-473	F CAPACITOR 0.047μF,50V
C1508	QETC1HM-474	E CAPACITOR 0.47μF,50V
C1509	QETC1HM-104	E CAPACITOR 0.1μF,50V
C1510	QETC1HM-105	E CAPACITOR 1μF,50V
C1511	QETC1HM-105	E CAPACITOR 1μF,50V
C1512	QETC1HM-105	E CAPACITOR 1μF,50V
C1513	QETN1HM-335	T CAPACITOR 3.3μF,50V
C1514	QETN1HM-106	T CAPACITOR 10μF,50V
C1515	QETC1HM-105	E CAPACITOR 1μF,50V
C1516	QETC1HM-106	E CAPACITOR 10μF,50V
C1517	QETC1HM-106	E CAPACITOR 10μF,50V
C1518	QETC1HM-105	E CAPACITOR 1μF,50V
C1521	QETC1HM-106	E CAPACITOR 10μF,50V
BK1	LP40077-001A	BRACKET(BOARD)
CN1501	QGG2502K1-09	HEADER PIN

Δ REF No. PART No. PART NAME, DESCRIPTION

S-SUB BOARD ASSEMBLY <15>

PW1	LPA10103-03A	S-SUB BOARD ASSY	
IC501	JCP8018	IC	
	or JCP8028	IC	
	or JCP8028-01	IC	
	or JCP8038		
IC502	VC2076DP	IC	
R503	NRSA02J-221X	MG RESISTOR	220 Ω ,1/10W
R504	NRSA02J-332X	MG RESISTOR	3.3k Ω ,1/10W
R505	NRSA02J-392X	MG RESISTOR	3.9k Ω ,1/10W
R506	NRSA02J-391X	MG RESISTOR	390 Ω ,1/10W
R507	NRSA02J-122X	MG RESISTOR	1.2k Ω ,1/10W
R508	NRSA02J-151X	MG RESISTOR	150 Ω ,1/10W
R509	NRSA02J-162X	MG RESISTOR	1.6k Ω ,1/10W
R510	NRVA02D-102X	CMF RESISTOR	1k Ω ,1/10W
R511	NRVA02D-471X	CMF RESISTOR	470 Ω ,1/10W
R512	NRVA02D-102X	CMF RESISTOR	1k Ω ,1/10W
R513	NRVA02D-152X	CMF RESISTOR	1.5k Ω ,1/10W
R514	NRVA02D-332X	CMF RESISTOR	3.3k Ω ,1/10W
R515	NRVA02D-332X	CMF RESISTOR	3.3k Ω ,1/10W
R516	NRSA02J-0R0X	MG RESISTOR	0 Ω ,1/10W
R517	NRSA02J-0R0X	MG RESISTOR	0 Ω ,1/10W
R525	NRSA02J-125X	MG RESISTOR	1.2M Ω ,1/10W
R527	NRSA02J-332X	MG RESISTOR	3.3k Ω ,1/10W
R531	NRSA02J-101X	MG RESISTOR	100 Ω ,1/10W
R532	NRSA02J-101X	MG RESISTOR	100 Ω ,1/10W
R535	NRSA02J-101X	MG RESISTOR	100 Ω ,1/10W
R536	NRSA02J-101X	MG RESISTOR	100 Ω ,1/10W
C501	QEKJ1HM-225	E CAPACITOR	2.2 μ F,50V
C502	QEKJ1EM-475	E CAPACITOR	4.7 μ F,25V
C503	QEKJ1HM-225	E CAPACITOR	2.2 μ F,50V
C504	NCB21EK-104X	CAPACITOR	0.1 μ F,25V
C505	QEKJ1EM-475	E CAPACITOR	4.7 μ F,25V
C506	NCB21EK-104X	CAPACITOR	0.1 μ F,25V
C507	QEKJ0JM-227	E CAPACITOR	220 μ F,6.3V
C508	QEPF1HM-474	NP E CAPACITOR	0.47 μ F,50V
C509	QEKJ1CM-106	E CAPACITOR	10 μ F,16V
C510	QEKJ0JM-227	E CAPACITOR	220 μ F,6.3V
C511	NCB21HK-103X	CAPACITOR	0.01 μ F,50V
C512	NCB21HK-103X	CAPACITOR	0.01 μ F,50V
C513	QEKJ1EM-475	E CAPACITOR	4.7 μ F,25V
C514	NCB21HK-103X	CAPACITOR	0.01 μ F,50V
C515	NCB21HK-103X	CAPACITOR	0.01 μ F,50V
C516	NCB21HK-103X	CAPACITOR	0.01 μ F,50V
C517	NCF21EZ-104X	CAPACITOR	0.1 μ F,25V
C518	NCB21EK-104X	CAPACITOR	0.1 μ F,25V
C519	QEKJ1HM-225	E CAPACITOR	2.2 μ F,50V
C520	QERF1EM-475	E CAPACITOR	4.7 μ F,25V
C521	QEKJ1EM-475	E CAPACITOR	4.7 μ F,25V
C522	QEKJ1HM-225	E CAPACITOR	2.2 μ F,50V
C523	QEKJ1HM-225	E CAPACITOR	2.2 μ F,50V
C524	NDC21HG-301X	CAPACITOR	300pF,50V
C525	NDC21HG-301X	CAPACITOR	300pF,50V
C526	NDC21HJ-101X	CAPACITOR	100pF,50V
C527	NDC21HJ-181X	CAPACITOR	180pF,50V
C528	NDC21HG-271X	CAPACITOR	270pF,50V
C529	NDC21HG-820X	CAPACITOR	82pF,50V
C530	NDC21HG-221X	CAPACITOR	220pF,50V

Δ REF No. PART No. PART NAME, DESCRIPTION

C531	NDC21HG-301X	CAPACITOR	300pF,50V
C532	NDC21HG-301X	CAPACITOR	300pF,50V
C533	NCB21HK-103X	CAPACITOR	0.01 μ F,50V
C534	QETJ0JM-477	E CAPACITOR	470 μ F,6.3V
C535	NCB21HK-103X	CAPACITOR	0.01 μ F,50V
C551	QEKJ1HM-105	E CAPACITOR	1 μ F,50V
C553	NCB21HK-103X	CAPACITOR	0.01 μ F,50V
C557	QEKJ1HM-105	E CAPACITOR	1 μ F,50V
C559	NCB21HK-103X	CAPACITOR	0.01 μ F,50V
C560	QEKJ1HM-105	E CAPACITOR	1 μ F,50V
C561	QEKJ1HM-105	E CAPACITOR	1 μ F,50V
C563	NCB21HK-103X	CAPACITOR	0.01 μ F,50V
L501	QQL29BJ-100Z	COIL	10 μ H
L503	QQL29BJ-100Z	COIL	10 μ H
L504	QQL29BJ-100Z	COIL	10 μ H
BK1	LP40077-001A	BRACKET(BOARD)	
CN511	QGG2503K2-30	HEADER PIN,(1-30)MAIN	
CN512	QGF1209F2-14	FFC/FPC CONNECTOR,(1-14)TERMINAL	

NAVIGATION BOARD ASSEMBLY <19>

PW1	LPA10108-02C	NAVIGATION BOARD ASSY	
IC3301	MN101C12GCC	IC(MCU)	
	or MN101CP12GAFCC	IC(MCU)	
IC3401	74HC4053D	IC	
IC3402	74HC4053D	IC	
IC3403	AT45D011-SC-X	IC	
D3401	RB751V-40-X	SB DIODE	
D3407	1SS355	DIODE	
R3302	NRSA02J-0R0X	MG RESISTOR	0 Ω ,1/10W
R3313	NRSA02J-101X	MG RESISTOR	100 Ω ,1/10W
R3321	NRSA02J-0R0X	MG RESISTOR	0 Ω ,1/10W
R3322	NRSA02J-0R0X	MG RESISTOR	0 Ω ,1/10W
R3323	NRSA02J-0R0X	MG RESISTOR	0 Ω ,1/10W
R3326	NRSA02J-102X	MG RESISTOR	1k Ω ,1/10W
R3328	NRSA02J-0R0X	MG RESISTOR	0 Ω ,1/10W
R3329	NRSA02J-0R0X	MG RESISTOR	0 Ω ,1/10W
R3330	NRSA02J-0R0X	MG RESISTOR	0 Ω ,1/10W
R3331	NRSA02J-223X	MG RESISTOR	22k Ω ,1/10W
R3332	NRSA02J-223X	MG RESISTOR	22k Ω ,1/10W
R3333	NRSA02J-102X	MG RESISTOR	1k Ω ,1/10W
R3339	NRSA02J-102X	MG RESISTOR	1k Ω ,1/10W
R3340	NRSA02J-102X	MG RESISTOR	1k Ω ,1/10W
R3342	NRSA02J-0R0X	MG RESISTOR	0 Ω ,1/10W
R3343	NRSA02J-0R0X	MG RESISTOR	0 Ω ,1/10W
R3345	NRSA02J-0R0X	MG RESISTOR	0 Ω ,1/10W
R3346	NRSA02J-0R0X	MG RESISTOR	0 Ω ,1/10W
R3347	NRSA02J-0R0X	MG RESISTOR	0 Ω ,1/10W
R3348	NRSA02J-0R0X	MG RESISTOR	0 Ω ,1/10W
R3349	NRSA02J-0R0X	MG RESISTOR	0 Ω ,1/10W
R3350	NRSA02J-0R0X	MG RESISTOR	0 Ω ,1/10W
R3351	NRSA02J-0R0X	MG RESISTOR	0 Ω ,1/10W
R3352	NRSA02J-0R0X	MG RESISTOR	0 Ω ,1/10W
R3371	NRSA02J-0R0X	MG RESISTOR	0 Ω ,1/10W
R3372	NRSA02J-0R0X	MG RESISTOR	0 Ω ,1/10W
R3373	NRSA02J-0R0X	MG RESISTOR	0 Ω ,1/10W
R3386	NRSA02J-103X	MG RESISTOR	10k Ω ,1/10W

#	△ REF No.	PART No.	PART NAME, DESCRIPTION
R3401		NRSA02J-0R0X	MG RESISTOR 0Ω,1/10W
R3402		NRSA02J-0R0X	MG RESISTOR 0Ω,1/10W
R3403		NRSA02J-0R0X	MG RESISTOR 0Ω,1/10W
R3404		NRSA02J-0R0X	MG RESISTOR 0Ω,1/10W
R3412		NRSA02J-0R0X	MG RESISTOR 0Ω,1/10W
R3414		NRSA02J-0R0X	MG RESISTOR 0Ω,1/10W
R3415		NRSA02J-0R0X	MG RESISTOR 0Ω,1/10W
R3422		NRSA02J-0R0X	MG RESISTOR 0Ω,1/10W
R3432		NRSA02J-0R0X	MG RESISTOR 0Ω,1/10W
R3452		NRSA02J-223X	MG RESISTOR 22kΩ,1/10W
R3462		NRSA02J-103X	MG RESISTOR 10kΩ,1/10W
R3463		NRSA02J-223X	MG RESISTOR 22kΩ,1/10W
R3464		NRSA02J-223X	MG RESISTOR 22kΩ,1/10W
R3465		NRSA02J-472X	MG RESISTOR 4.7kΩ,1/10W
R3466		NRSA02J-0R0X	MG RESISTOR 0Ω,1/10W
R3468		NRSA02J-103X	MG RESISTOR 10kΩ,1/10W
C3312		NDC21HJ-200X	CAPACITOR 20pF,50V
C3313		NDC21HJ-200X	CAPACITOR 20pF,50V
C3314		NCB21EK-104X	CAPACITOR 0.1μF,25V
C3321		NDC21HJ-220X	CAPACITOR 22pF,50V
C3322		NDC21HJ-220X	CAPACITOR 22pF,50V
C3323		NDC21HJ-220X	CAPACITOR 22pF,50V
C3333		NCB21EK-104X	CAPACITOR 0.1μF,25V
C3345		NDC21HJ-220X	CAPACITOR 22pF,50V
C3346		NDC21HJ-220X	CAPACITOR 22pF,50V
C3347		NDC21HJ-220X	CAPACITOR 22pF,50V
C3401		QEKJ0JM-226	E CAPACITOR 22μF,6.3V
C3402		NCB21EK-104X	CAPACITOR 0.1μF,25V
C3403		NCB21EK-104X	CAPACITOR 0.1μF,25V
C3404		NCB21EK-104X	CAPACITOR 0.1μF,25V
C3405		NCB21EK-104X	CAPACITOR 0.1μF,25V
X3301		QAX0584-001	CRYSTAL RESONATOR
BK1		LP40425-001A	BRACKET(BOARD)
CN3401		QGG2502K1-13	HEADER PIN
CN3402		QGF1207F1-08	FPC CONNECTOR,(1-8)TERMINAL

#	△ REF No.	PART No.	PART NAME, DESCRIPTION
R7003		QRE141J-471Y	RESISTOR 470Ω,1/4W
R7004		QRE141J-471Y	RESISTOR 470Ω,1/4W
R7005		QRE141J-103Y	RESISTOR 10kΩ,1/4W
R7006		QRE141J-103Y	RESISTOR 10kΩ,1/4W
R7007		QRE141J-103Y	RESISTOR 10kΩ,1/4W
R7008		QRE141J-103Y	RESISTOR 10kΩ,1/4W
R7013		QRE141J-103Y	RESISTOR 10kΩ,1/4W
R7020		QRE141J-103Y	RESISTOR 10kΩ,1/4W
R7021		QRE141J-122Y	RESISTOR 1.2kΩ,1/4W
R7022		QRE141J-182Y	RESISTOR 1.8kΩ,1/4W
R7023		QRE141J-222Y	RESISTOR 2.2kΩ,1/4W
R7024		QRE141J-272Y	RESISTOR 2.7kΩ,1/4W
R7025		QRE141J-472Y	RESISTOR 4.7kΩ,1/4W
R7026		QRE141J-682Y	RESISTOR 6.8kΩ,1/4W
R7027		QRE141J-153Y	RESISTOR 15kΩ,1/4W
R7028		QRE141J-393Y	RESISTOR 39kΩ,1/4W
R7030		QRE141J-103Y	RESISTOR 10kΩ,1/4W
R7031		QRE141J-122Y	RESISTOR 1.2kΩ,1/4W
R7032		QRE141J-182Y	RESISTOR 1.8kΩ,1/4W
R7033		QRE141J-222Y	RESISTOR 2.2kΩ,1/4W
R7034		QRE141J-153Y	RESISTOR 15kΩ,1/4W
R7037		QRE141J-153Y	RESISTOR 15kΩ,1/4W
R7038		QRE141J-393Y	RESISTOR 39kΩ,1/4W
R7040		QRE141J-331Y	RESISTOR 330Ω,1/4W
R7041		QRE141J-331Y	RESISTOR 330Ω,1/4W
R7042		QRE141J-331Y	RESISTOR 330Ω,1/4W
C7001		QCFB1HZ-104	CAPACITOR 0.1μF,50V
C7002		QETN1HM-106	E CAPACITOR 10μF,50V
C7007		QETN1HM-476	E CAPACITOR 47μF,50V
C7009		QCSB1HJ-150	CAPACITOR 15pF,50V
C7010		QCFB1HZ-104	CAPACITOR 0.1μF,50V
C7011		QETN1AM-227	E CAPACITOR 220μF,10V
C7019		QDVB1EZ-223Y	CAPACITOR 0.022μF,25V
S7001		QSW0456-002Z	TACT SWITCH,POWER
S7002		QSW0456-002Z	TACT SWITCH,CH+
S7003		QSW0456-002Z	TACT SWITCH,CH-
S7004		QSW0456-002Z	TACT SWITCH,REC
S7005		QSW0456-002Z	TACT SWITCH,PAUSE
S7006		QSW0456-002Z	TACT SWITCH,PLAY
S7007		QSW0456-002Z	TACT SWITCH,STOP/EJECT
S7010		QSW0456-002Z	TACT SWITCH,D.TBC/NR
S7011		QSW0456-002Z	TACT SWITCH,V.NAVI
S7012		QSW0456-002Z	TACT SWITCH,SVHS ET
S7013		QSW0456-002Z	TACT SWITCH,REC LINK
S7014		QSW0456-002Z	TACT SWITCH,OK
S7015		QSW0456-002Z	TACT SWITCH,MENU
S7016		QSW0456-002Z	TACT SWITCH,INSERT
S7017		QSW0456-002Z	TACT SWITCH,A.DUB
DI7001		QLF0032-002	FL TUBE
HD1		LP30428-001A	FDP HOLDER(L),DI7001
HD2		LP30429-001A	FDP HOLDER(R),DI7001
HD3		PQM30038-2-2	LED HOLDER,D7009
HD4		PQM30038-1-2	LED HOLDER,D7010
HD5		PQM30038-2-2	LED HOLDER,D7011
CN7001		QGF1207C1-14	FPC CONNECTOR,(1-14)MAIN

DISPLAY BOARD ASSEMBLY <28>

PW1	LPA10056-08A1	DISPLAY BOARD ASSY
IC7001	M35500BGP	IC
	or M35500BFP	IC
	or M35500AGP	IC
IC7002	PNA4652M00XB	IR DETECT UNIT
	or GP1U281X	IR DETECT UNIT
D7002	RD9.1ES/B2/-T2	ZENER DIODE
	or UZ9.1BSB	ZENER DIODE
	or MTZJ9.1B	ZENER DIODE
D7004	1SS133	DIODE
D7005	1SS133	DIODE
D7006	1SS133	DIODE
D7009	SLR-342MC3F	LE DIODE
D7010	SLR-342VC3F	LE DIODE
D7011	SLR-342MC3F	LE DIODE
R7001	QRE141J-471Y	RESISTOR 470Ω,1/4W
R7002	QRE141J-471Y	RESISTOR 470Ω,1/4W

REF No. PART No. PART NAME, DESCRIPTION

REC SAFETY BOARD ASSEMBLY <32>

PW2	LPA10056-01A2	REC SAFETY BOARD ASSY
S7041	QSW0602-004	PUSH SWITCH
FW7001	QUM032-07A4A4	PARA RIBON WIRE

S JACK BOARD ASSEMBLY <36>

PW4	LPA10056-08A4	JACK BOARD ASSY	
D7199	MTZJ6.2A	ZENER DIODE	
	or RD6.2ES/B1/-T2	ZENER DIODE	
R7191	QRE141J-750Y	RESISTOR	75Ω,1/4W
R7193	QRE141J-750Y	RESISTOR	75Ω,1/4W
R7194	QRE141J-750Y	RESISTOR	75Ω,1/4W
J7191	PEMC1126	PIN JACK,VIDEO IN	
J7192	PEMC0922	PIN JACK(SW),A(L)IN	
J7193	PEMC0922	PIN JACK(SW),A(R)IN	
J7194	QND0085-001	S JACK,S VIDEO	
CN7191	QGF1207F1-05	FPC CONNECTOR,(3-7)	
CN7192	QGF1207F1-04	FPC CONNECTOR,(1-4)MAIN	

JOG BOARD ASSEMBLY <37>

PW3	LPA10056-01A3	JOG BOARD ASSY
UN7091	PEME0976	JOG ASSY
CN7005	QGF1207F1-06	FPC CONNECTOR,(1-6)MAIN

AUDIO ERASE BOARD ASSEMBLY <46>

PW2	LPA10106-51A2	AUDIO ERASE BOARD ASSY	
Q2051	2SC4081/QRS/-X	TRANSISTOR	
	or 2PC4081/R/-X	TRANSISTOR	
	or 2SD1819A/QRS/-X	TRANSISTOR	
R2054	NRSA02J-153X	MG RESISTOR	15kΩ,1/10W
R2055	NRSA02J-3R3X	MG RESISTOR	3.3Ω,1/10W
C2052	QFLC1HJ-333Z	F CAPACITOR	0.033μF,50V
C2053	NCB21HK-332X	CAPACITOR	0.0033μF,50V
C2054	NCB21HK-103X	CAPACITOR	0.01μF,50V
C2055	QEKJ1CM-106	E CAPACITOR	10μF,16V
T2051	PELN0860	OSC TRANSFORMER	
CN2052	QGB2024J1-04S	CONNECTOR,(1-4)MAIN	

REF No. PART No. PART NAME, DESCRIPTION

LOADING MOTOR BOARD ASSEMBLY <55>

PW2	LPA10010-01A2	LOADING MOTOR BOARD ASSY
CN1	QGB2533K1-02	CONNECTOR

GR BOARD ASSEMBLY <96>

PW1	LPA10041-02A	GR BOARD ASSY
IC1901	M52661FP	IC
IC1902	MB40C568	SOP IC
IC1903	OR43101MQC	IC
IC1904	S-80728AN-DR-X	IC
	or S-80828ANUP-W	IC
IC1905	S-80742AN-D6-X	IC
	or S-80842ANUP-W	IC
IC1906	L5431	IC
IC1907	MM1115XF	SOP IC
Q1901	2SC4081/QRS/-X	TRANSISTOR
	or 2SD1819A/QRS/-X	TRANSISTOR
	or 2PC4081/R/-X	TRANSISTOR
Q1922	2SD2528/P/	TRANSISTOR
Q1941	2SC4081/QRS/-X	TRANSISTOR
	or 2SD1819A/QRS/-X	TRANSISTOR
	or 2PC4081/R/-X	TRANSISTOR
Q1942	2SC4081/QRS/-X	TRANSISTOR
	or 2PC4081/R/-X	TRANSISTOR
	or 2SD1819A/QRS/-X	TRANSISTOR
Q1943	2SA1576A/QR/-X	TRANSISTOR
	or 2SB1218A/QR/-X	TRANSISTOR
	or 2PA1576/R/-X	TRANSISTOR
Q1944	2SC4081/QRS/-X	TRANSISTOR
	or 2PC4081/R/-X	TRANSISTOR
	or 2SD1819A/QRS/-X	TRANSISTOR
Q1945	2SA1576A/QR/-X	TRANSISTOR
	or 2SB1218A/QR/-X	TRANSISTOR
	or 2PA1576/R/-X	TRANSISTOR
Q1946	2SC4081/QRS/-X	TRANSISTOR
	or 2PC4081/R/-X	TRANSISTOR
	or 2SD1819A/QRS/-X	TRANSISTOR
Q1947	2SA1576A/QR/-X	TRANSISTOR
	or 2SB1218A/QR/-X	TRANSISTOR
	or 2PA1576/R/-X	TRANSISTOR
Q1948	2SC4081/QRS/-X	TRANSISTOR
	or 2PC4081/R/-X	TRANSISTOR
	or 2SD1819A/QRS/-X	TRANSISTOR
Q1949	2SA1576A/QR/-X	TRANSISTOR
	or 2SB1218A/QR/-X	TRANSISTOR
	or 2PA1576/R/-X	TRANSISTOR
Q1950	2SA1576A/QR/-X	TRANSISTOR
	or 2PA1576/R/-X	TRANSISTOR
	or 2SB1218A/QR/-X	TRANSISTOR
Q1951	2SC4081/QRS/-X	TRANSISTOR
	or 2SD1819A/QRS/-X	TRANSISTOR
	or 2PC4081/R/-X	TRANSISTOR

#	△ REF No.	PART No.	PART NAME, DESCRIPTION	#	△ REF No.	PART No.	PART NAME, DESCRIPTION
Q1952		2SA1576A/QR/-X	TRANSISTOR	R1966		NRSA02J-332X	MG RESISTOR 3.3kΩ,1/10W
		or 2PA1576/R/-X	TRANSISTOR	R1967		NRSA02J-681X	MG RESISTOR 680Ω,1/10W
		or 2SB1218A/QR/-X	TRANSISTOR	R1968		NRSA02J-471X	MG RESISTOR 470Ω,1/10W
Q1953		2SC4081/QRS/-X	TRANSISTOR	R1969		NRSA02J-562X	MG RESISTOR 5.6kΩ,1/10W
		or 2SD1819A/QRS/-X	TRANSISTOR	R1970		NRSA02J-333X	MG RESISTOR 33kΩ,1/10W
		or 2PC4081/R/-X	TRANSISTOR	R1971		NRSA02J-103X	MG RESISTOR 10kΩ,1/10W
Q1954		2SC4081/QRS/-X	TRANSISTOR	R1972		NRSA02J-471X	MG RESISTOR 470Ω,1/10W
		or 2PC4081/R/-X	TRANSISTOR	R1973		NRSA02J-681X	MG RESISTOR 680Ω,1/10W
		or 2SD1819A/QRS/-X	TRANSISTOR	R1974		NRSA02F-4121X	MG RESISTOR 4.12kΩ,1/10W
Q1955		2SA1576A/QR/-X	TRANSISTOR	R1975		NRSA02J-472X	MG RESISTOR 4.7kΩ,1/10W
		or 2SB1218A/QR/-X	TRANSISTOR	R1976		NRSA02J-101X	MG RESISTOR 100Ω,1/10W
		or 2PA1576/R/-X	TRANSISTOR	R1977		NRSA02J-474X	MG RESISTOR 470kΩ,1/10W
D1901		DA204U	DIODE	R1978		NRSA02J-152X	MG RESISTOR 1.5kΩ,1/10W
D1923		11ES2	DIODE	R1979		NRSA02J-560X	MG RESISTOR 56Ω,1/10W
		or 1A3G	DIODE	R1980		NRSA02J-331X	MG RESISTOR 330Ω,1/10W
D1924		11ES2	DIODE	R1981		NRSA02J-223X	MG RESISTOR 22kΩ,1/10W
		or 1A3G	DIODE	R1982		NRSA02J-152X	MG RESISTOR 1.5kΩ,1/10W
D1941		DAP202U	DIODE	R1986		NRSA02J-0R0X	MG RESISTOR 0Ω,1/10W
D1943		DA204U	DIODE	R1987		NRSA02J-101X	MG RESISTOR 100Ω,1/10W
D1944		DAP202U	DIODE	R1988		NRSA02J-101X	MG RESISTOR 100Ω,1/10W
R1901		NRSA02J-392X	MG RESISTOR 3.9kΩ,1/10W	R1989		NRSA02J-105X	MG RESISTOR 1MΩ,1/10W
R1902		NRSA02J-472X	MG RESISTOR 4.7kΩ,1/10W	R1990		NRVA02D-683X	CMF RESISTOR 68kΩ,1/10W
R1905		NRSA02J-101X	MG RESISTOR 100Ω,1/10W	R1991		NRSA02J-101X	MG RESISTOR 100Ω,1/10W
R1906		NRSA02J-101X	MG RESISTOR 100Ω,1/10W	R1992		NRSA02J-474X	MG RESISTOR 470kΩ,1/10W
R1907		NRSA02J-474X	MG RESISTOR 470kΩ,1/10W	R1993		NRSA02J-182X	MG RESISTOR 1.8kΩ,1/10W
R1908		NRSA02J-103X	MG RESISTOR 10kΩ,1/10W	R1994		NRSA02J-103X	MG RESISTOR 10kΩ,1/10W
R1909		NRSA02J-103X	MG RESISTOR 10kΩ,1/10W	R1995		NRVA02D-102X	CMF RESISTOR 1kΩ,1/10W
R1910		NRSA02J-103X	MG RESISTOR 10kΩ,1/10W	R1996		NRVA02D-102X	CMF RESISTOR 1kΩ,1/10W
R1911		NRSA02J-0R0X	MG RESISTOR 0Ω,1/10W	R1997		NRSA02J-183X	MG RESISTOR 18kΩ,1/10W
R1912		NRSA02J-0R0X	MG RESISTOR 0Ω,1/10W	R1998		NRSA02J-272X	MG RESISTOR 2.7kΩ,1/10W
R1931		NRSA02J-223X	MG RESISTOR 22kΩ,1/10W	RA1901		NRZ0040-101X	NET RESISTOR 100Ω
R1932		NRSA02J-472X	MG RESISTOR 4.7kΩ,1/10W	RA1902		NRZ0040-101X	NET RESISTOR 100Ω
R1934		NRSA02J-101X	MG RESISTOR 100Ω,1/10W	RA1931		NRZ0040-101X	NET RESISTOR 100Ω
R1937		NRSA02J-102X	MG RESISTOR 1kΩ,1/10W	RA1932		NRZ0040-101X	NET RESISTOR 100Ω
R1938		NRSA02J-471X	MG RESISTOR 470Ω,1/10W	C1901		QEKJ0JM-337	E CAPACITOR 330μF,6.3V
R1939		NRSA02J-102X	MG RESISTOR 1kΩ,1/10W	C1902		QEKJ1CM-106	E CAPACITOR 10μF,16V
R1940		NRSA02J-102X	MG RESISTOR 1kΩ,1/10W	C1906		NCB21HK-103X	CAPACITOR 0.01μF,50V
R1941		NRSA02J-223X	MG RESISTOR 22kΩ,1/10W	C1907		NCB21HK-103X	CAPACITOR 0.01μF,50V
R1942		NRSA02J-221X	MG RESISTOR 220Ω,1/10W	C1913		NCB21EK-104X	CAPACITOR 0.1μF,25V
R1943		NRSA02J-273X	MG RESISTOR 27kΩ,1/10W	C1919		NDC21HJ-470X	CAPACITOR 47pF,50V
R1944		NRSA02J-471X	MG RESISTOR 470Ω,1/10W	C1920		NDC21HJ-470X	CAPACITOR 47pF,50V
R1945		NRSA02J-222X	MG RESISTOR 2.2kΩ,1/10W	C1921		QEKJ1CM-106	E CAPACITOR 10μF,16V
R1946		NRSA02J-821X	MG RESISTOR 820Ω,1/10W	C1922		NCF21CZ-105X	CAPACITOR 1μF,16V
R1947		NRSA02J-152X	MG RESISTOR 1.5kΩ,1/10W	C1923		QEKJ1CM-476	E CAPACITOR 47μF,16V
R1948		NRSA02J-122X	MG RESISTOR 1.2kΩ,1/10W	C1926		QEKJ0JM-337	E CAPACITOR 330μF,6.3V
R1949		NRSA02J-681X	MG RESISTOR 680Ω,1/10W	C1927		QEKJ0JM-337	E CAPACITOR 330μF,6.3V
R1950		NRSA02J-103X	MG RESISTOR 10kΩ,1/10W	C1928		QEKJ1CM-476	E CAPACITOR 47μF,16V
R1951		NRSA02J-103X	MG RESISTOR 10kΩ,1/10W	C1930		NCB21HK-103X	CAPACITOR 0.01μF,50V
R1952		NRSA02J-102X	MG RESISTOR 1kΩ,1/10W	C1932		NCB21HK-103X	CAPACITOR 0.01μF,50V
R1953		NRSA02J-471X	MG RESISTOR 470Ω,1/10W	C1933		NCB21HK-103X	CAPACITOR 0.01μF,50V
R1954		NRSA02J-334X	MG RESISTOR 330kΩ,1/10W	C1934		NCB21HK-103X	CAPACITOR 0.01μF,50V
R1955		NRSA02J-221X	MG RESISTOR 220Ω,1/10W	C1935		NCB21HK-103X	CAPACITOR 0.01μF,50V
R1956		NRSA02J-471X	MG RESISTOR 470Ω,1/10W	C1938		NDC21HJ-470X	CAPACITOR 47pF,50V
R1957		NRSA02J-821X	MG RESISTOR 820Ω,1/10W	C1941		QEKJ1AM-107	E CAPACITOR 100μF,10V
R1958		NRSA02J-391X	MG RESISTOR 390Ω,1/10W	C1942		NDC21HJ-220X	CAPACITOR 22pF,50V
R1959		NRSA02J-122X	MG RESISTOR 1.2kΩ,1/10W	C1943		NDC21HJ-5R0X	CAPACITOR 5pF,50V
R1960		NRSA02J-821X	MG RESISTOR 820Ω,1/10W	C1944		NDC21HJ-390X	CAPACITOR 39pF,50V
R1961		NRSA02J-222X	MG RESISTOR 2.2kΩ,1/10W	C1945		QEKJ1CM-106	E CAPACITOR 10μF,16V
R1962		NRSA02J-821X	MG RESISTOR 820Ω,1/10W	C1946		NCB21HK-103X	CAPACITOR 0.01μF,50V
R1963		NRSA02J-222X	MG RESISTOR 2.2kΩ,1/10W	C1947		NDC21HJ-470X	CAPACITOR 47pF,50V
R1965		NRSA02J-332X	MG RESISTOR 3.3kΩ,1/10W	C1948		NDC21HJ-680X	CAPACITOR 68pF,50V

#	△	REF No.	PART No.	PART NAME, DESCRIPTION		#	△	REF No.	PART No.	PART NAME, DESCRIPTION
C1949			NCB21HK-103X	CAPACITOR	0.01μF,50V					
C1950			NCB21HK-103X	CAPACITOR	0.01μF,50V					
C1951			NCB21HK-103X	CAPACITOR	0.01μF,50V					
C1952			NCB21HK-681X	CAPACITOR	680pF,50V					
C1953			QEKJ1HM-225	E CAPACITOR	2.2μF,50V					
C1954			NDC21HJ-220X	CAPACITOR	22pF,50V					
C1955			NDC21HJ-5R0X	CAPACITOR	5pF,50V					
C1956			NDC21HJ-390X	CAPACITOR	39pF,50V					
C1957			QEKJ1CM-476	E CAPACITOR	47μF,16V					
C1958			NCB21HK-102X	CAPACITOR	0.001μF,50V					
C1959			NCB21CK-474X	CAPACITOR	0.47μF,16V					
C1961			NCB21HK-103X	CAPACITOR	0.01μF,50V					
C1962			QEKJ1HM-105	E CAPACITOR	1μF,50V					
C1963			NCB21HK-103X	CAPACITOR	0.01μF,50V					
C1964			QEKJ1HM-225	E CAPACITOR	2.2μF,50V					
C1965			NDC21HJ-220X	CAPACITOR	22pF,50V					
C1966			NCB21HK-103X	CAPACITOR	0.01μF,50V					
C1967			NCB21EK-104X	CAPACITOR	0.1μF,25V					
C1968			NCB21HK-102X	CAPACITOR	0.001μF,50V					
C1969			NCB21HK-152X	CAPACITOR	0.0015μF,50V					
C1970			QEKJ1HM-225	E CAPACITOR	2.2μF,50V					
C1971			NCB21HK-103X	CAPACITOR	0.01μF,50V					
C1972			NCB21EK-104X	CAPACITOR	0.1μF,25V					
C1973			NCB21HK-103X	CAPACITOR	0.01μF,50V					
C1974			NCB21HK-103X	CAPACITOR	0.01μF,50V					
C1975			NDC21HJ-150X	CAPACITOR	15pF,50V					
C1977			NCB21HK-103X	CAPACITOR	0.01μF,50V					
C1978			NCB21HK-103X	CAPACITOR	0.01μF,50V					
C1979			QEKJ0JM-337	E CAPACITOR	330μF,6.3V					
C1980			NCB21HK-103X	CAPACITOR	0.01μF,50V					
C1981			QEKJ1CM-106	E CAPACITOR	10μF,16V					
C1982			NCB21HK-103X	CAPACITOR	0.01μF,50V					
C1983			QEKJ1AM-107	E CAPACITOR	100μF,10V					
C1984			NCB21HK-103X	CAPACITOR	0.01μF,50V					
C1985			QEKJ1CM-106	E CAPACITOR	10μF,16V					
C1986			QEKJ1CM-106	E CAPACITOR	10μF,16V					
C1987			NCB21HK-103X	CAPACITOR	0.01μF,50V					
C1992			NCB21CK-474X	CAPACITOR	0.47μF,16V					
C1993			QEKJ1CM-476	E CAPACITOR	47μF,16V					
C1994			QEKJ0JM-337	E CAPACITOR	330μF,6.3V					
C1995			NCB21HK-103X	CAPACITOR	0.01μF,50V					
C1996			NCB21HK-103X	CAPACITOR	0.01μF,50V					
C1997			NDC21HJ-470X	CAPACITOR	47pF,50V					
C1998			NDC21HJ-470X	CAPACITOR	47pF,50V					
C1999			NDC21HJ-470X	CAPACITOR	47pF,50V					
L1941			QQL29BJ-220Z	COIL	22μH					
L1942			QQL29BJ-150Z	COIL	15μH					
L1943			QQL29BJ-330Z	COIL	33μH					
L1944			QQL29BJ-100Z	COIL	10μH					
L1945			QQL29BJ-100Z	COIL	10μH					
CF1941			QAX0492-001	RESONATOR						
LC1901			QQR0657-013Z	NOISE FILTER						
X1941			QAX0012-001	CRYSTAL RESONATOR						
K1901			QQR0678-001Z	FERRITE BEAD						
K1931			QQR0678-001Z	FERRITE BEAD						
K1932			QQR0678-001Z	FERRITE BEAD						
SD1			LP30489-001A	SHIELD CASE(GR)						
SD2			LP30490-001A	SHIELD PLATE(GR)						
CN1902			QGF1207C1-11	FPC CONNECTOR,(1-11)MAIN						